




APOE03G series

Single-Port Passive Gigabit Redundant PoE Midspan/Injector



The APOE03G is the Single-Port Gigabit (10/100/1000 Base-T) redundant PoE Midspan/Injector that provides DC power for PoE equipped Network Appliance device. It is compatible with devices that support the IEEE 802.3af/at standard PoE power feed using Mode B (Pins 4/5 and 7/8).

The APOE03G features terminal block for Power redundancy, the power redundancy ensures that vital network capabilities are always available when needed, and also makes life easier for any IT Administrator who just doesn't want to have his sleep or his weekend interrupted by an untimely service call caused by a finicky power supply.

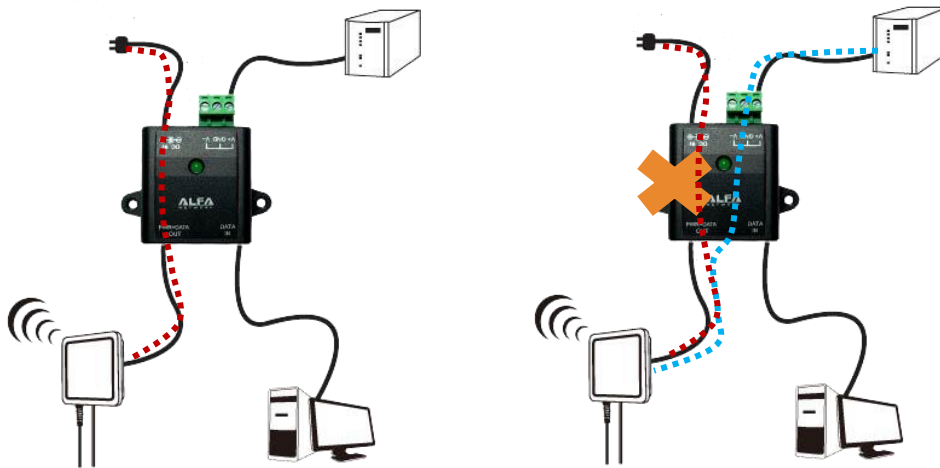
Model Information:		
Model	Picture	Descriptions
APOE03G		<ul style="list-style-type: none"> • 10/100/1000 Mbps • DC plug: 2.1/5.5 • Redundancy Terminal Block
APOE03GR		<ul style="list-style-type: none"> • 10/100/1000 Mbps • DC plug: 2.1/5.5 • Redundancy Terminal Block • Remote reset button
APOE03GS		<ul style="list-style-type: none"> • 10/100/1000 Mbps • DC plug: 2.1/5.5 • Redundancy Terminal Block • Remote reset button • Surge protection with Gas Tubes design
<p>** Reset function only work with Alfa certain models. PD-side RESET circuit info available upon request.</p>		

APOE03G series

Single-Port Passive Gigabit Redundant PoE Midspan/Injector

Function:

Transform DC through RJ-45 cable PIN# 4,5,7,8, into remote devices such as Wireless AP, IP Phone, IP surveillance Camera, etc. With the terminal block connector can be connected to the UPS allowing redundancy in the power source.



Input:

1.1 Input Voltage: 5Vdc to 57Vdc, Nominal = 48Vdc

General Description:

- 2.1 Operation Temperature: -0 ~ 40
- 2.2 Storage Temperature: -20 ~ 60
- 2.3 Operation Humidity: 10% ~ 80% Non-Condensing
- 2.4 RJ-45 Connector PinOut
- 2.5 DC Power Plug Diameter: 2.1 ϕ / 5.5 ϕ , Length: 12 \pm 0.5mm
- 2.6 DC Power Plug Polarity: Inside (+), Outside (-)

APOE03G series

Single-Port Passive Gigabit Redundant PoE Midspan/Injector

PIN Define:

RJ-45 Input (Data)		RJ-45 Output (Data & Power)	
PIN	Symbol	Symbol	
1	TXRX A+	TXRX A+	
2	TXRX A-	TXRX A-	
3	TXRX B+	TXRX B+	
4	TXRX C+	TXRX C+ DC+	
5	TXRX C-	TXRX C- DC+	
6	TXRX B-	TXRX B-	
7	TXRX D+	TXRX D+ DC-	
8	TXRX D-	TXRX D- DC-	

Mechanical and Dimension:

- 3.1 Plastic Case Material: ABS
- 3.2 Plastic Case Finish: Texture
- 3.3 Plastic Case Color: Black
- 3.4 Plastic Case Dimension: 67x67x24mm
- 3.5 Weight: 40g

