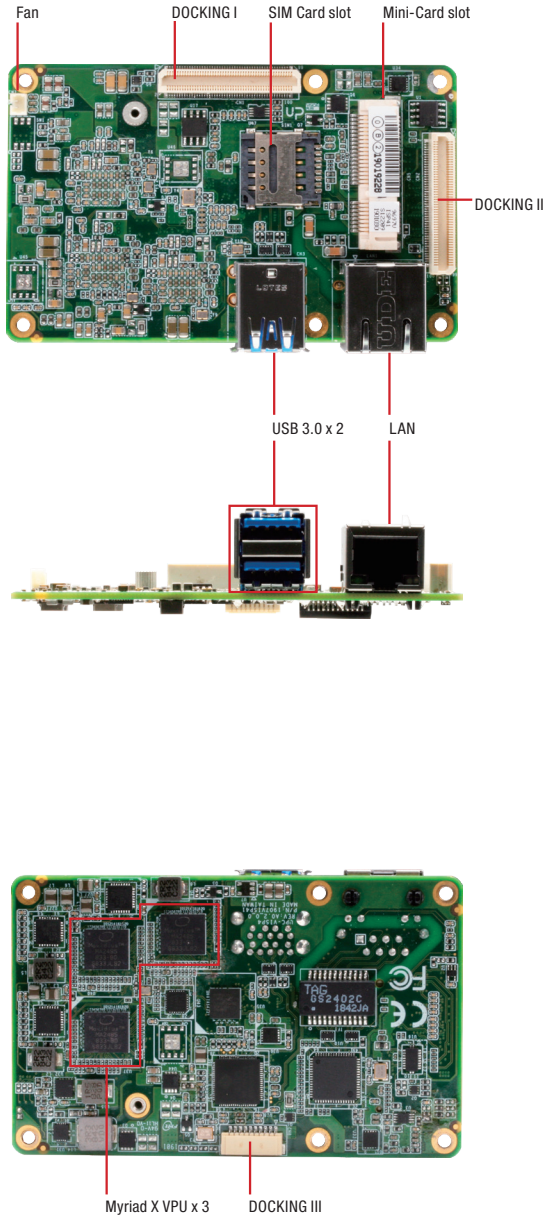


Vision accelerator with 3 x Intel® Movidius™ Myriad™ X VPU for UP Core Plus



Features

- 3 x Intel® Movidius™ Myriad™ X VPU
- Intel® Vision Accelerator Design SW SDK
- Supported Framework: TensorFlow, Caffe, MXNET
- Ubuntu 16.04, Windows® 10
- 2 x USB3.0 Type A
- 1 x Gigabit LAN
- 1 x Mini-Card (Full-sized)



Specifications

System	
VPU	Intel® Movidius™ Myriad™ X VPU x 3 , MA2485
Ethernet	Intel® WGI211AT PCI-E Gigabit Ethernet x 1
Power Requirement	12V5A
Power Supply Type	12VDC from M/B
Power Consumption (Typical)	Max 25W
Dimensions (L x W)	90 x 56 mm
Operating Temperature	0 ~ 60°C (32 ~ 140°F)
Operation Humidity	10 ~ 80% relative humidity, non-condensing
Certification	CE/FCC Class B
OS Support	Microsoft Windows 10 Linux: ubilinux, Ubuntu, Yocto Android-IA 9.0
I/O	
Ethernet	1 x RJ45 (Intel WGI211AT PCI-E Gigabit Ethernet)
USB	2 x USB 3.0 Type A
SATA	—
Expansion Slot	1 x mPCIe Slot (Full Size) (SATA/USB/PCIE) 1 x SIM Card Slot DOCKING I (2x I2C) DOCKING II (3x PCIe.G2, 1x USB3.0, 1x SATA, 2x USB 2.0)

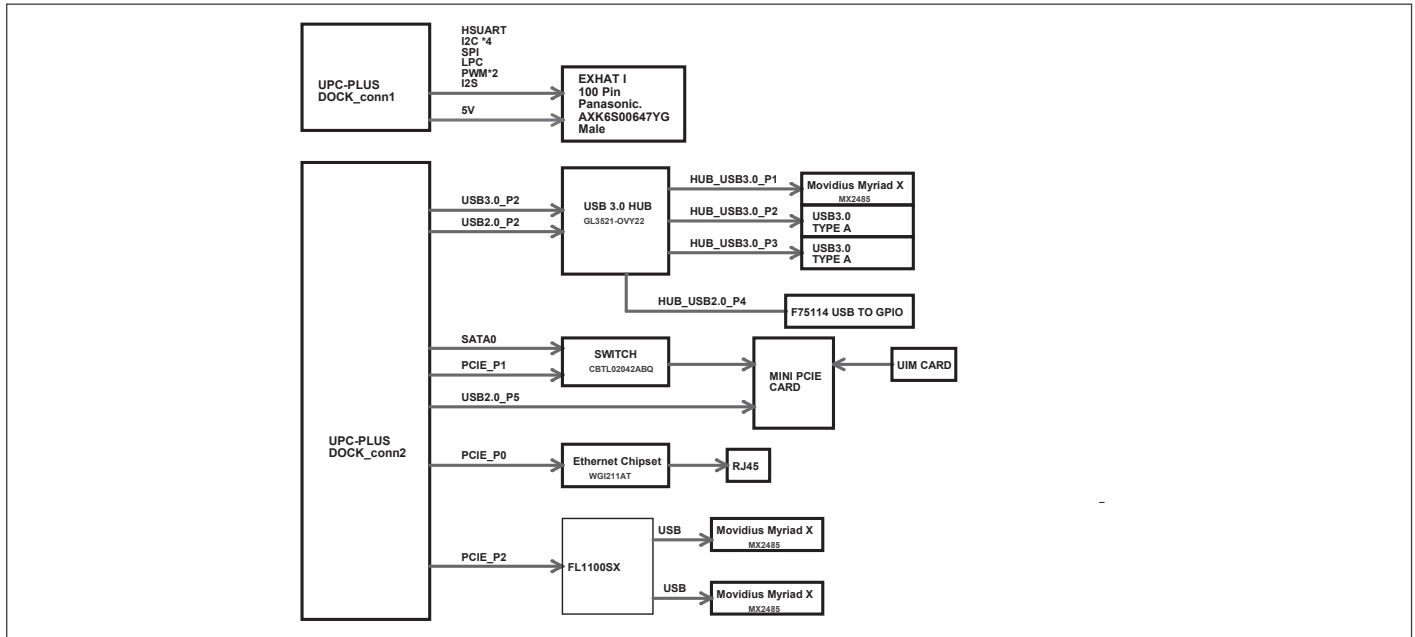
Packing List

- UP Vision Plus X x 1
- Adapter Board i x 1
- Adapter Board ii x 1
- Heatsink x 1
- Standoff x 6
- Screw x 6

Ordering Information

Part Number	Description
UPCP-CR-VPX3-A10-001	Vision Plus X, w/ 3x Myriad™ X 2485, fan heatsink, REV.A1.0

Block Diagram



Dimension

Unit: mm

