

OPERATING FREQUENCIES:

CELL FEED 1: 698-960 / 1710-2700 MHz
CELL FEED 2: 698-960 / 1710-2700 MHz
WIFI FEED 3: 2400-2485 / 4900-6000 MHz
WIFI FEED 4: 2400-2485 / 4900-6000 MHz

PRODUCT/ASSEMBLY
MIMO AND DIVERSITY ANTENNAS

DESCRIPTION
LOW PROFILE 2G/3G/4G & 2.4/5.8 GHz MiMo ANTENNA

MATERIAL
N/A

FINISH
N/A

WEIGHT
480g

APPROVED
KD DO.CHECK AR

SCALE
1:3 DIMENSIONS IN mm

DO NOT SCALE 3RD ANGLE PROJECTION

REVISIONS

PCN	REV.	DESCRIPTION	DATE	DRN
01019	1	PRODUCTION ISSUE	08/08/2013	PE
01019	2	INTERNAL PART UPDATED - SF1-0089	12/12/2014	IC
01019	3	COVER AND INTERNAL PARTS UPDATED	02/11/2015	PE

TOLERANCES UNLESS OTHERWISE STATED

0 DEC. PLACE	±0.5	2 DEC. PLACES	±0.1
1 DEC. PLACE	±0.2	ANGULAR	±1°

△ DENOTES LATEST ISSUE CHANGES ○ DENOTES CRITICAL VALUE

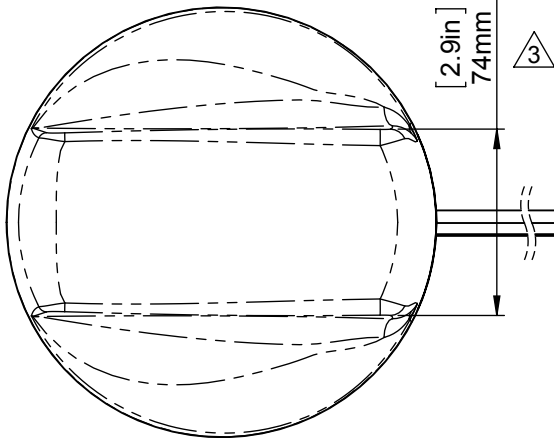
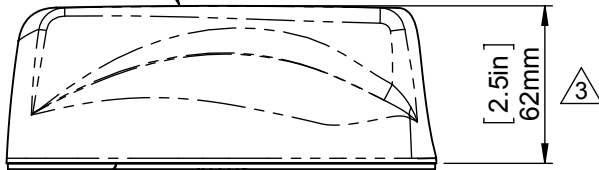


THIS DOCUMENT MUST NOT BE COPIED OR DISCLOSED TO A THIRD PARTY WITHOUT THE WRITTEN CONSENT OF PANORAMA ANTENNAS LTD.

HOUSING MOULDED IN WHITE A.S.A.

BASE: ALUMINIUM

SLOTTED NUT AND SHAKEPROOF WASHER

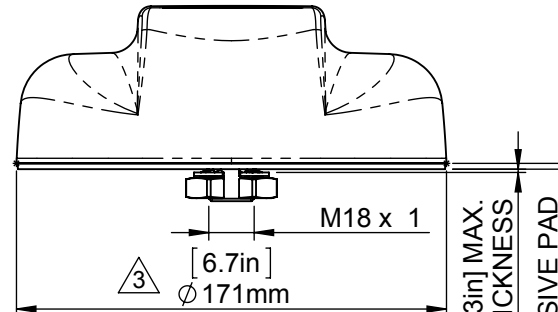


CS29 COAX CABLE 300mm LONG (2 POSITIONS)

SMA PLUGS

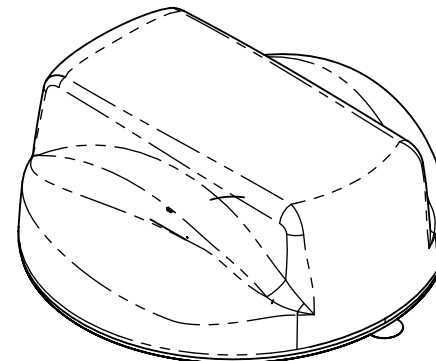
SMA JACKS

RG174 Ø2.8 COAX CABLE 300mm LONG (2 POSITIONS)



7.0 [2.3in] MAX. PANEL THICKNESS
2.3 [0.1in] ADHESIVE PAD

ISO VIEW SCALE 1:4



NOTES:

- SAMPLES MUST BE APPROVED BY PANORAMA ANTENNAS Q.C. BEFORE COMMENCING PRODUCTION.
- ALL PARTS MUST BE RoHS COMPLIANT AND MUST NOT CONTAIN ANY SUBSTANCES OF VERY HIGH CONCERN (SVHCs) LISTED UNDER REACH OR POLY-AROMATIC HYDROCARBONS (PAHs), OR PERSISTENT ORGANIC POLLUTANTS (POPs) CONTROLLED BY THE STOCKHOLM CONVENTION.