

DRG. LPP-7-38-VARS
No.

© 2019 A4

THIS DOCUMENT MUST NOT BE COPIED OR DISCLOSED TO A THIRD PARTY WITHOUT THE WRITTEN CONSENT OF PANORAMA ANTENNAS LTD.

DO NOT SCALE

△ DENOTES LATEST ISSUE CHANGES

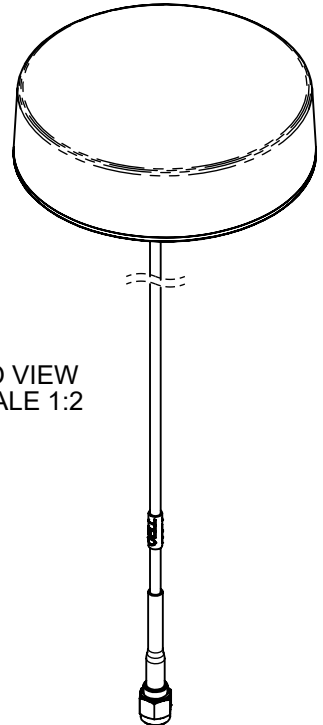
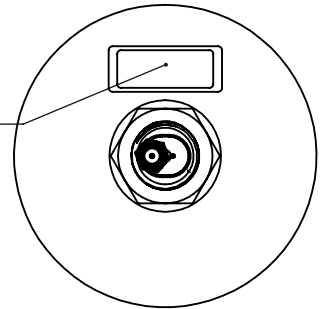
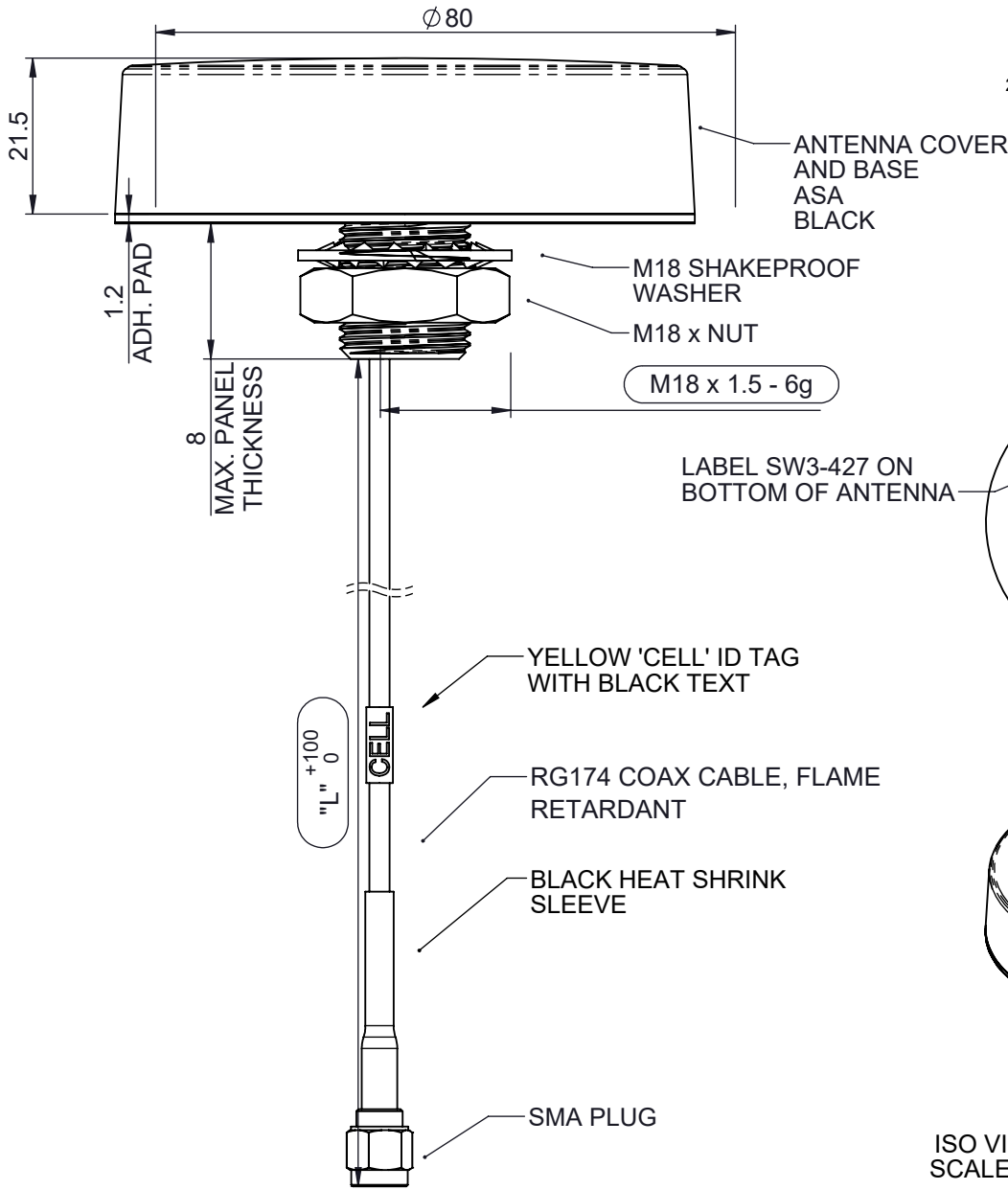
○ DENOTES CRITICAL VALUE

PROJECTION

TOLERANCES UNLESS OTHERWISE STATED			
0 DEC. PLACE	±0.5	2 DEC. PLACES	±0.1
1 DEC. PLACE	±0.2	ANGULAR	±1°

NOTES:

- SAMPLES MUST BE APPROVED BY PANORAMA ANTENNAS Q.C. BEFORE COMMENCING PRODUCTION.
- ALL MATERIALS SUPPLIED MUST BE RoHS3 (DIRECTIVE (EU) 2015/863) COMPLIANT AND MUST NOT CONTAIN ANY SUBSTANCES OF VERY HIGH CONCERN (SVHCs) LISTED UNDER REACH OR POLY-AROMATIC HYDROCARBONS (PAHs), OR PERSISTENT ORGANIC POLLUTANTS (POPs) CONTROLLED BY THE STOCKHOLM CONVENTION.



ISO VIEW SCALE 1:2

PART NUMBER	"L" CABLE LENGHT (mm)	WEIGHT net(g)
LPP-7-38-1SP	1000	74
LPP-7-38-3SP	3000	100

PRODUCT/ASSEMBLY					DESCRIPTION						
1008-M2M LOW PROFILES					LO PRO 4G/3G/2G PUCK VARM SMA(m)						
MATERIAL					N/A						
01019	A	INITIAL ISSUE	27/03/2019	AR	FINISH	N/A					
01019	1	PRODUCITON ISSUE	04/09/2019	PE	APPROVED	KD	D.O.CHECK	AR	SCALE	1:1	DIMENSIONS IN mm
PCN	REV.	DESCRIPTION	DATE	DRN	WEIGHT	SEE TABLE	SHEET 1 OF 2				