



# 19" DualRack



**(EN)** © 2014 PC Engines, VARIA System GmbH. All rights reserved. PC Engines, ALIX Board, APU1C Board and VARIA and related trademarks, names and logos are the property of PC Engines or VARIA and are registered around the world. Kit contains various components - item details, CE declarations and country of origin see packing list or VARIA invoice.

PC Engines and VARIA assume no obligations or liability and make no representation, warranty, endorsement or guarantee in relation to any aspect of third party products or service. The PC Engines boards contain batteries. Note the proper use and disposal of the battery. You can also contact the VARIA support about more information.

**(DE)** © 2014 PC Engines, VARIA System GmbH. Alle Rechte vorbehalten. PC Engines, ALIX Board, APU1C Board und VARIA und die zugehörigen Marken, Namen und Logos sind Eigentum von PC Engines oder VARIA und weltweit als Marke eingetragen. Das Kit enthält verschiedene Komponenten; Informationen zum Herkunftsland, CE Declarations und weitere Artikeldetails finden Sie auf dem Lieferschein oder der VARIA Rechnung.

PC Engines und VARIA übernehmen keinerlei Haftung bzw. Verantwortung, Gewährleistung oder Garantie in Bezug auf Produkte oder Dienstleistungen von Drittanbietern. PC Engines Boards können Batterien enthalten. Sorgen Sie für eine ordnungsgemäße Verwendung und Entsorgung der Batterie. Für weitere Informationen können Sie auch den Support von PC Engines oder VARIA kontaktieren.

**(FR)** © 2014 PC Engines, VARIA System GmbH. PC Engines, ALIX Board, APU1C Board et VARIA, ainsi que les marques commerciales, noms et logos associés, sont la propriété de PC Engines ou VARIA et sont déposés dans d'autres pays du monde. Le kit comprend plusieurs composants; reportez-vous au pays CE et d'origine pour chacun des éléments.

PC Engines et VARIA décline toute obligation ou responsabilité et n'émet aucune représentation, garantie ou approbation concernant les différents aspects des produits ou services tiers. Le PC Engines board contient une batterie. Notez l'utilisation et l'élimination de la batterie. Pour plus d'informations, vous pouvez également contacter le support de PC Engines ou VARIA.

**(ES)** © 2014 PC Engines, VARIA System GmbH. Todos los derechos reservados. PC Engines, ALIX Board, APU1C Board y VARIA y las marcas comerciales, nombres e logotipos relacionados son propiedad de PC Engines o VARIA y están registrados se utilizan en diferentes países del mundo. El kit consta de varios componentes; consulte cada elemento par aver su país de origen y CE.

PC Engines and VARIA no garantiza en modo alguno la información sobre productos y servicios de terceros y no assume ningún tipo de obligación responsabilidad con dicha información. El PC Engines board contiene una batería. Tenga en cuenta el uso adecuado y la eliminación de la batería. También puede ponerse en contacto con el soporte VARIAssss acerca más información.

**(IT)** © 2014 PC Engines, VARIA System GmbH. Tutti i diritti riservati. PC Engines, ALIX Board, APU1C Board e VARIA e i relativi marchi, nomi e logo sono di proprietà di PC Engines o VARIA e utilizzati negli in altri Paesi. Il kit contiene vari componenti; verificare il Paese di origine di ciascun elemento.

PC Engines e VARIA non si assume alcun obbligo o responsabilità, né fornisce dichiarazioni e garanzie in merito a qualsiasi aspetto di prodotti o servizi di terzi. Lo PC Engines Scheda di Sistema contiene una batteria. Utilizzare e smaltire la batteria osservando le indicazioni riportate nell'Opuscolo con informazioni sul conto e/o Bolla di consegna. È inoltre possibile contattare i PC Engines o di VARIA supporto per maggiori informazioni.



**RoHS**  
Compliant



Applies to the separate parts, not for the whole bundle or ready system.

The enclosure as well as the mounting material are only included in the basic delivery (see also side 3).

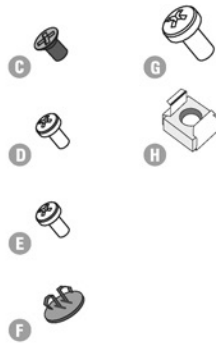
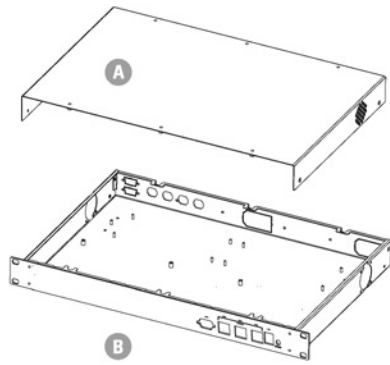
Der Standardlieferungsumfang enthält das Basisgehäuse inkl. Montageset (siehe Seite 3).

**Disconnect power before removing cover!**



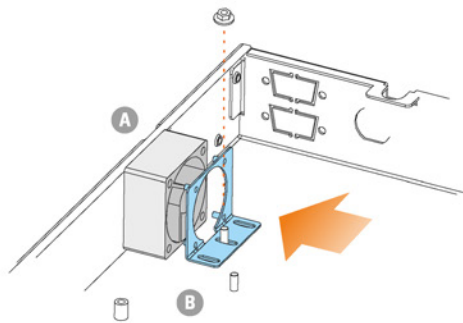
**Vor dem Öffnen den Netzstecker ziehen!**

# Contents



Contents		Qty.
A	Cover	1
B	Enclosure	1
C	Enclosure Screws	4
D	Board Screws	8
E	Screws for power supplies	4
F	Plastic Caps	4
G	Rack Mount Screws	4
H	Rack Mount Nut	4

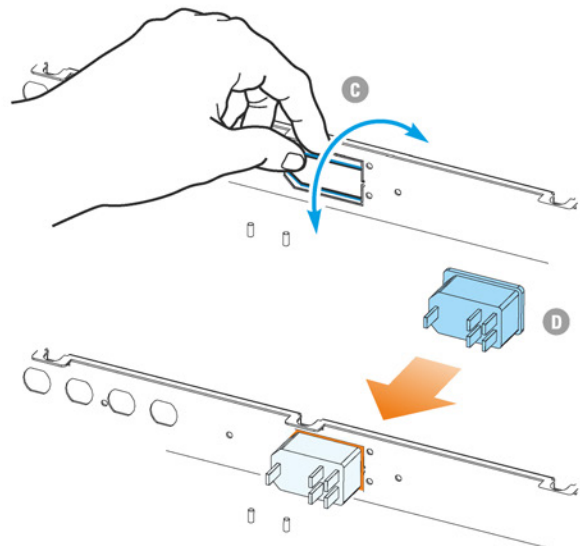
## Fan mounting/installation



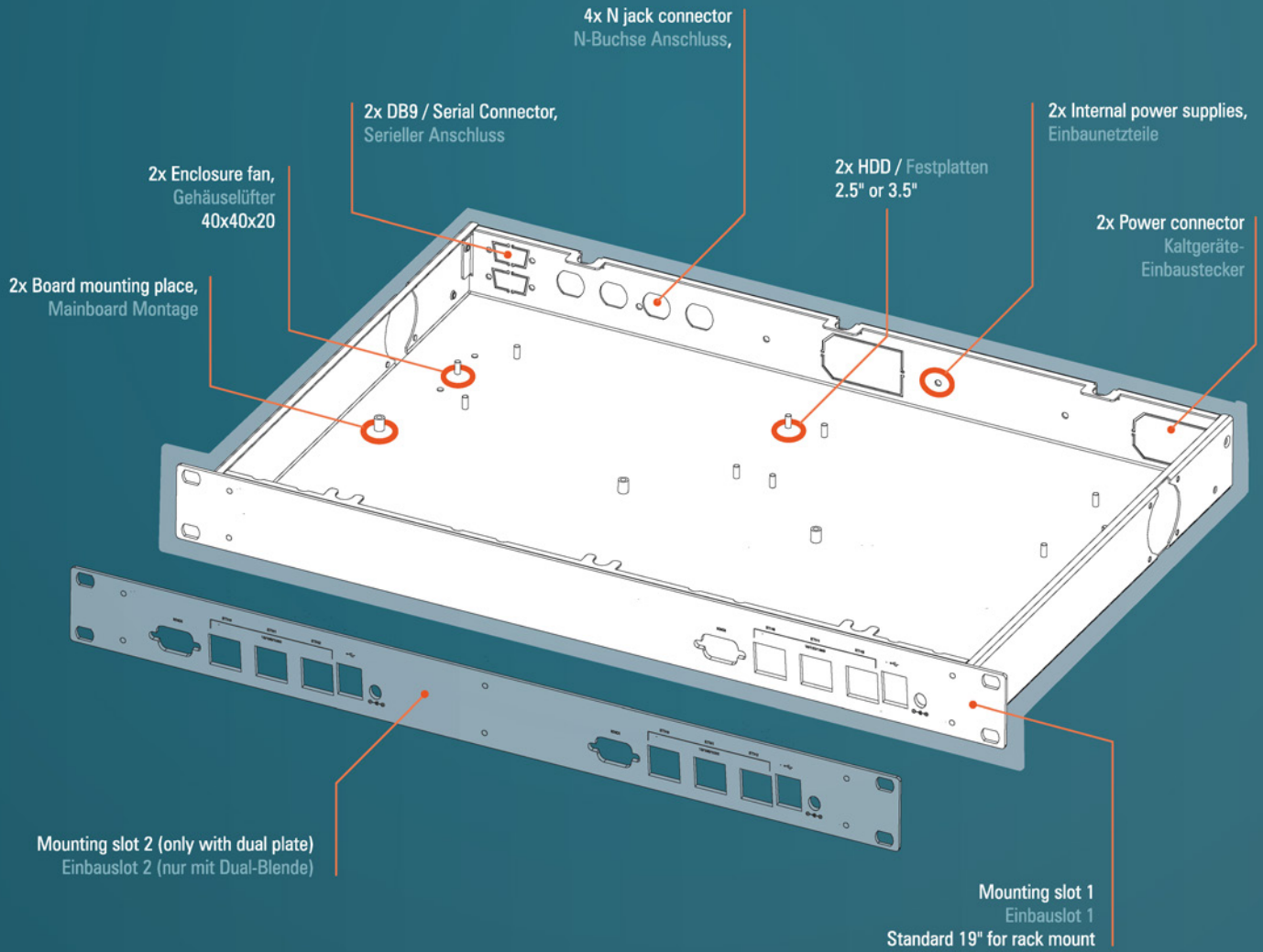
First insert the fan **A** to the mounting place and depress the fan mounting kit **B** to the chassis panel. Please use the included nut for fixation (scope of delivery from item 311857).

Please pry out the dummy plate **C** (**beware of sharp edges!**) and plug the power set adapter **D** from the outside through the chassis panel. (The adapter has to engage correctly!)

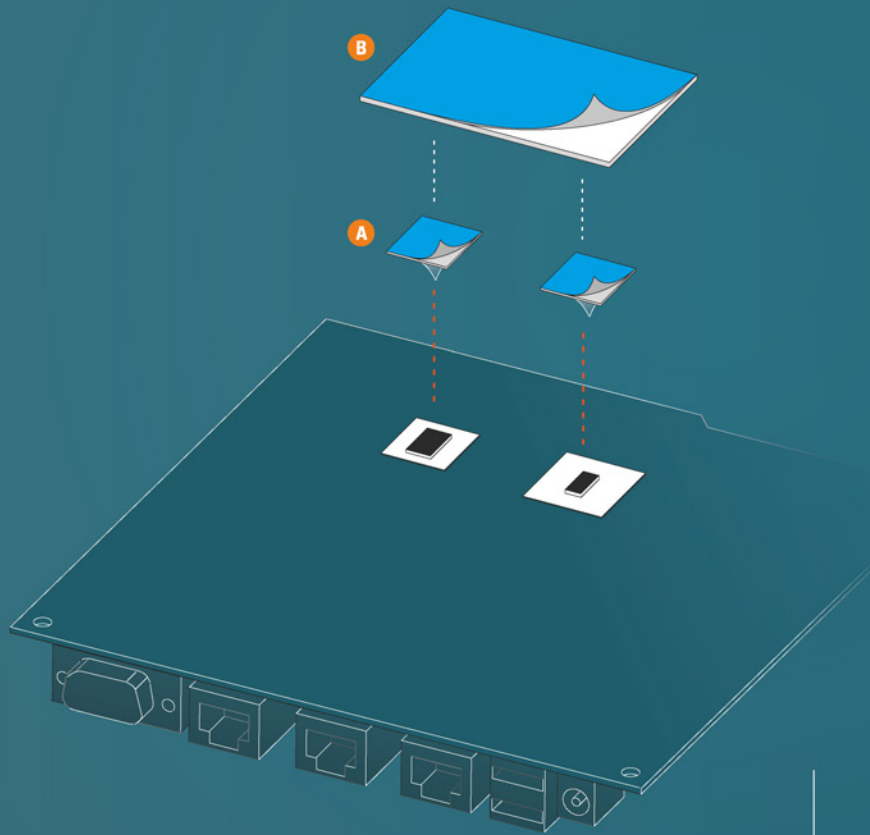
## Internal power supply installation



# Overview



# Board installation

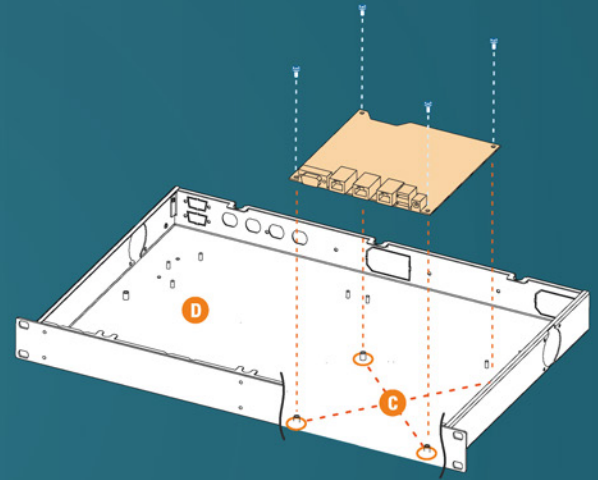


Install both thermal pads as shown in **A** on the respective AMD chipsets on the bottom of the board. The cleaned cooling element **B** is to be put on both thermal pads then.

Please note the correct side positioning of the pads. They always have to be stuck on with the blue protective film showing to the case! Please remove all films before the final assembly.

Boards with cooling elements (e.g. APU1C and APU1C4) should not have any space to the casing bottom after assembly.

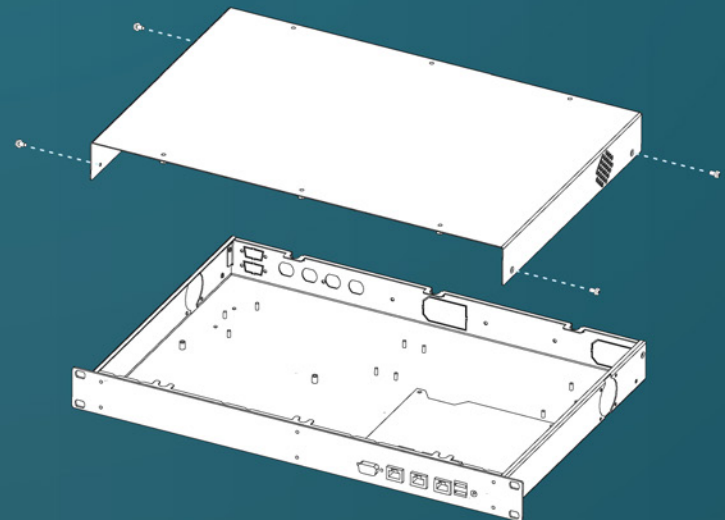
You do not have to do this step with the boards type ALIX.2D13, 2D2 and 6F2. Those boards do not need further cooling options.



The board is easily screwed on the assembly points **C** in the DualRack case **D**.

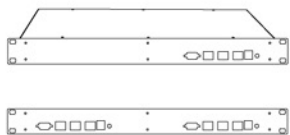
Do only use the screws included in the delivery for the assembly. Please note: Before the installation of the board the screws of the serial interface have to be removed and after installation screwed in again!

After the installation of the board, close the case with the cover again. Do not use open!

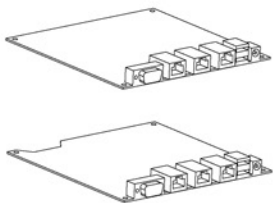


Basic modules

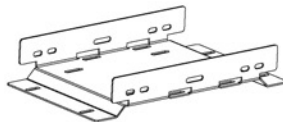
1



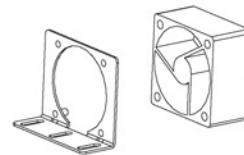
2



3



4

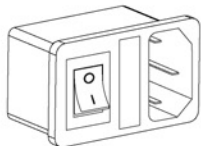


Power supply

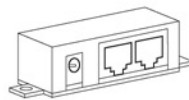
5



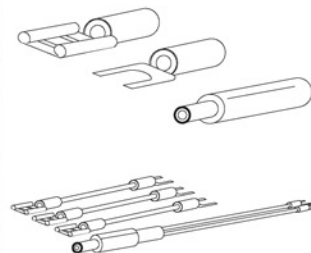
6



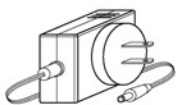
7



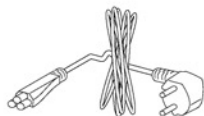
8



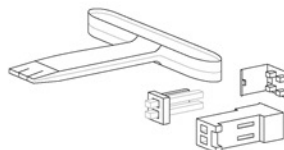
9



10



11

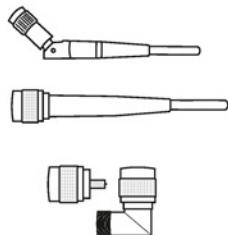


12



Misc. accessories

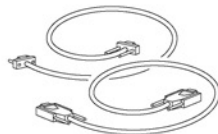
13



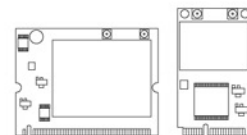
14



15



16



- 1 Basic module / 19" enclosure (315480)**  
1x 19" enclosure incl. screw set and standard single slot front plate.  
**Dual slot front plate for basic 19" enclosure (315524)**  
Enclosure plate for using the second board slot.
- 2 ALIX.2D13 mainboard (311672)**  
CPU: 500MHz, 256MB DDR RAM, miniPCI, CF Card Slot  
**APU1C mainboard series (ALIX-APU1C, ALIX-APU1C4)**  
CPU: 1GHz Dual-Core, 64Bit support, up to 4GB DDR3 RAM
- 3 HDD mounting for 19" DualRack (311667)**  
1x HDD mounting kit for 2,5 and 3,5" hard drives  
1x screw set for mounting
- 4 Fan mounting for 19" DualRack (311857)**  
1x FAN mounting kit for 40x40x20 fan (item number: 311638)  
**Fan for 19" DualRack (311638)**  
Dimensions: 40 x 40 x 20 mm, kind of voltage: DC, nominal voltage: 12 [V]
- 5 Int. power supply 12V, 3A (RS-35-12)**  
Internal power supply 12V, 35W, 3A for 19" DualRack
- 6 Power cord set (311994)**  
Power cord set for 19" DualRack Box incl. fuse
- 7 PoE Passive Injector (277028)**  
Power supply for ALIX.2D13 boards via the unused wires of a Cat.5 cable. Not 802.3af conform!
- 8 DC-DC plug 2.5mm x 5.5mm (312063), Cable lug GKS4/1/red (312088), Cable lug FSH63/1/0,8 red (312040), Cable harness for internal power supply (313315)**
- 9 18V, 1.2A power supply, 5.5 x 2.1 x 11 (277027), 12V, 2.0A power supply, 5.5 x 2.5 x 11 (312388)**
- 10 Power cord, approx. 1m (311993)**
- 11 J18 Header, Tool for ALIX-Board (312038), J18 Header Set, ALIX Power Header (312042)**
- 12 Adapter, Euro Plug to CH Plug (ADP-EU-CH) Adapter, Euro Plug to UK Plug (315500)**  
More adapters available at varia.org

More suitable accessories you can find at [www.varia.org](http://www.varia.org).

- 13** Indoor antennas for Wireless LAN
- 14** Pigtails and cable configurations
- 15** Adapter, connectors and sockets
- 16** Compact flash moduls, miniPCI and miniPCI express cards



# 19" DualRack