

# ARS-25-57A

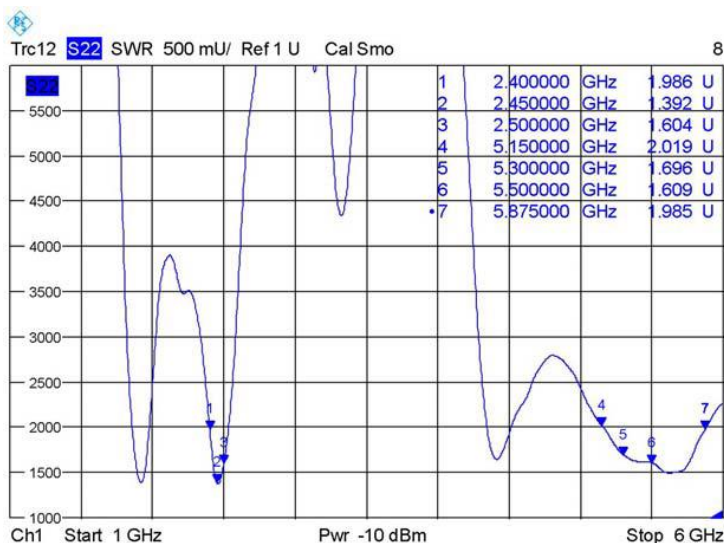
## Dual-Band 2.4GHz+5GHz Paddle Antenna



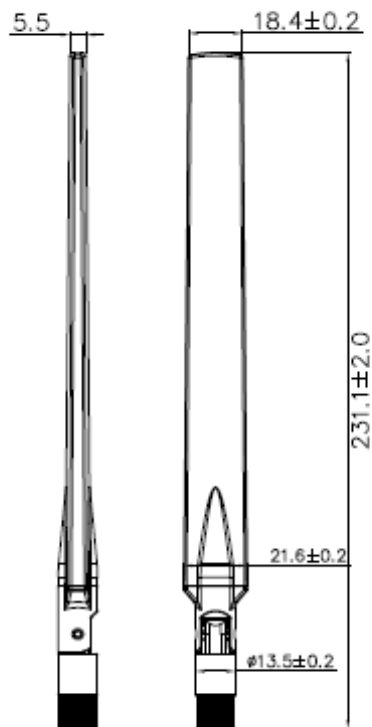
### Electrical

Frequency:	2.4 - 2.5 GHz 5.1 - 5.9 GHz
V.S.W.R:	2.5:1
Gain:	2.4 - 2.5 GHz :5 dBi 5.1 - 5.9 GHz: 7 dBi
Impedance:	50 Ω
Polarization:	Vertical, Linear
Connector:	RP-SMA male
Dimension:	18.5 x 231 mm
Temperature:	- 10°C to +55°C
Humidity:	95% @ 25°C

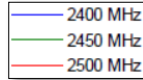
### VSWR



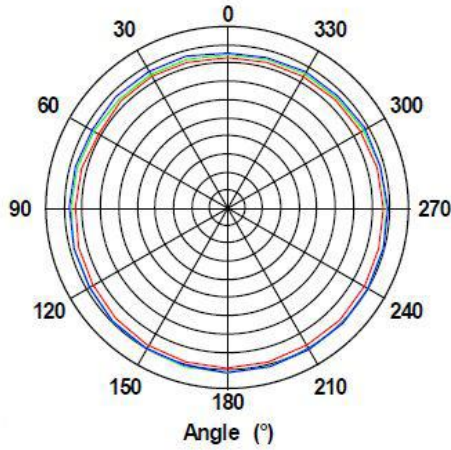
Date: 14.JAN.2014 15:06:58



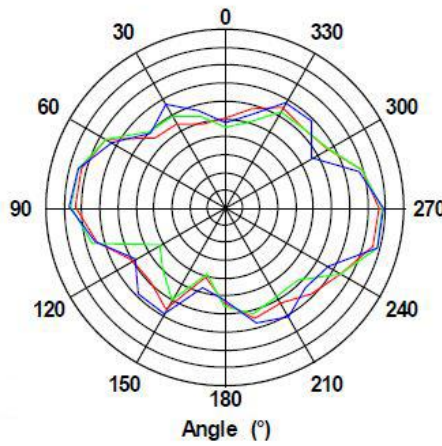
### Radiation (2.4GHz)



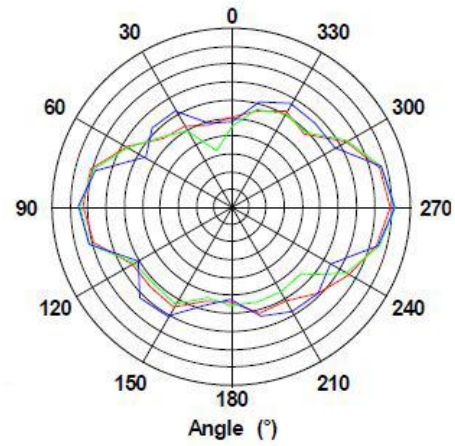
#### XY-plane



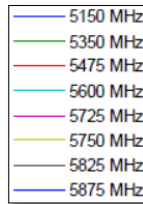
#### YZ-plane



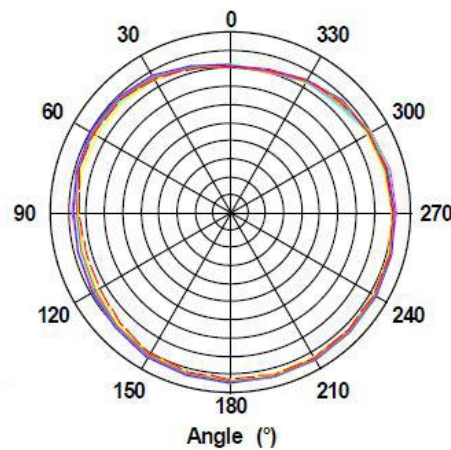
#### ZX-plane



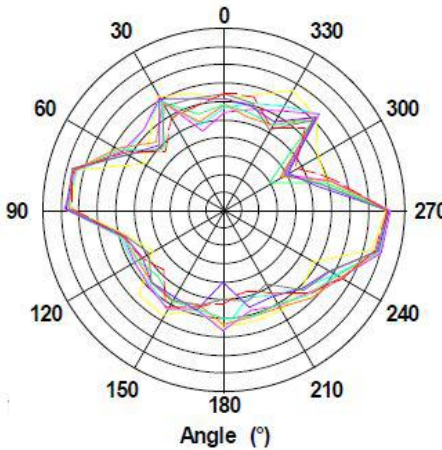
### Radiation (5GHz)



#### XY-plane



#### YZ-plane



#### ZX-plane

