

AbraCam™ Bullet

BRACKET FOR UBNT airCam™

- Seamless Camera Positioning Using Ball Hinge
- Quick & Easy Installation
- Improved Picture Stability
- Outdoor or Indoor Use
- Wall or Pole Mounting
- Casted Aluminium Bracket



TECHNICAL DATA

Materials	Bracket - Diecasted Aluminum Holder - UV stabilized and weather resistant ABS plastic Hardware - Stainless Steel
Flame Rating	UL 94 HB
Pole Mounting Diameter	50-70 mm
Wall Installation	Yes
Operating Temp.	-30 to +60 °C
Wind Survival	160 Km/h
Weight	0.3 Kg / 0.71 lbs – single unit incl. package 18 Kg / 39.5 lbs – carton (50 units)
Single Unit	Retail Box: 18,5 x 9 x 8 cm
50 Units	Carton Box: 83 x 48 x 21 cm

COMPATIBLE PLATFORM

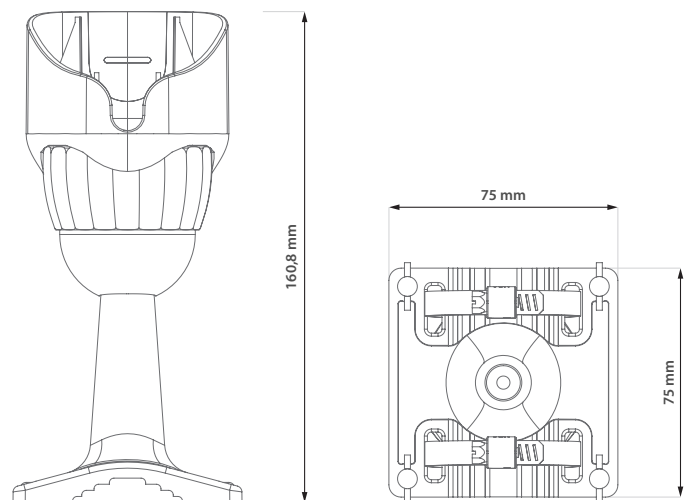
Ubiquiti Networks™ | airCam™

PACKAGE CONTENTS

AbraCam™ Bullet
4x Screw 3,5 x 45mm
2x Screw 2,9 x 16mm
4x Wall Plug
2x Hose Clamps 50-70mm



PRODUCT DIMENSIONS



AbraCam™ Dome Bracket

MOUNTING BRACKET FOR UBNT airCam™ DOME

- Mounts airCam™ Dome on firm Wall with offset
- Freedom to Place airCam Dome Camera: Better field of view for your surveillance system!
- Suitable for Shopping Malls, Entrance Halls, Indoor Spaces, Industrial, Workshops, Offices etc.
- Quick & Easy Installation
- Designed for Indoor Use
- Colored in Cool Grey 1



TECHNICAL DATA

Materials	ABS plastic
Flame Rating	UL 94 HB
Wall Mounting	Yes
Operating Temp.	-30 to +60 °C
Product Color	Cool Grey 1
Weight	0.4 Kg / 0.88 lbs – single unit incl. package 11.1 Kg / 24.5 lbs – carton (25 units)
Single Unit	Retail Box: 22.5 × 11.5 × 11.5 cm
25 Units	Carton Box: 35 × 28 × 101 cm

COMPATIBLE PLATFORM

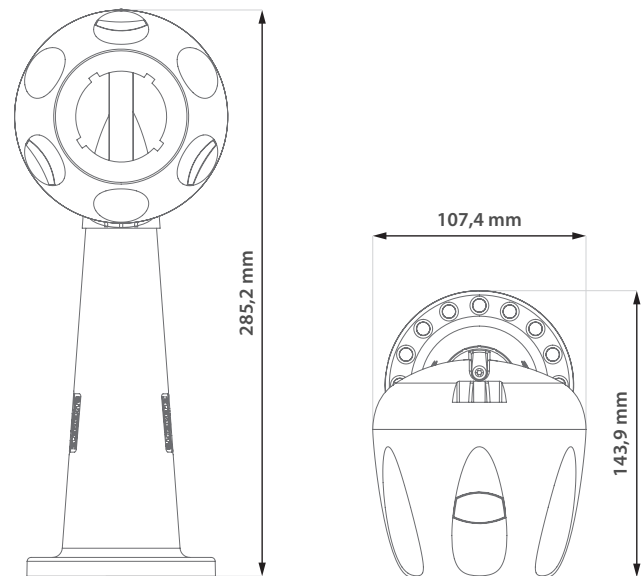
Ubiquiti Networks™ | airCam™ Dome

PACKAGE CONTENTS

AbraCam™ Dome Bracket
1x Screw 3,5 x 30mm
3x Screw 3,5 x 45mm
3x Wall Plug



PRODUCT DIMENSIONS



AbraCam™ Dome Compact

MOUNTING BRACKET FOR UBNT airCam™ DOME

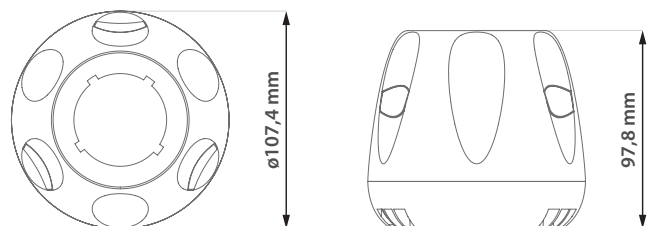
- Mounts airCam™ Dome on firm Wall
- Freedom to Place airCam Dome Camera: Better field of view for your surveillance system!
- Suitable for Shopping Malls, Entrance Halls, Indoor Spaces, Industrial, Workshops, Offices etc.
- Quick & Easy Installation
- Designed for Indoor Use
- Colored in Cool Grey 1



TECHNICAL DATA

Materials	ABS plastic
Flame Rating	UL 94 HB
Wall Mounting	Yes
Operating Temp.	-30 to +60 °C
Weight	0.22 Kg / 0.49 lbs – single unit incl. package 6.4 Kg / 14.1 lbs – carton (25 units)
Single Unit	Retail Box: 10,5 x 12,5 x 11,5 cm
25 pcs Box	Carton Box: 65 x 56 x 11,5 cm

PRODUCT DIMENSIONS



COMPATIBLE PLATFORM

Ubiquiti Networks™ | airCam™ Dome

PACKAGE CONTENTS

AbraCam™ Dome Compact
3x Screw 3,5 x 45mm
3x Wall Plug

