

DRG. No. LP-7-38-VARSP

© 2019 A4 THIS DOCUMENT MUST NOT BE COPIED OR DISCLOSED TO A THIRD PARTY WITHOUT THE WRITTEN CONSENT OF PANORAMA ANTENNAS LTD.

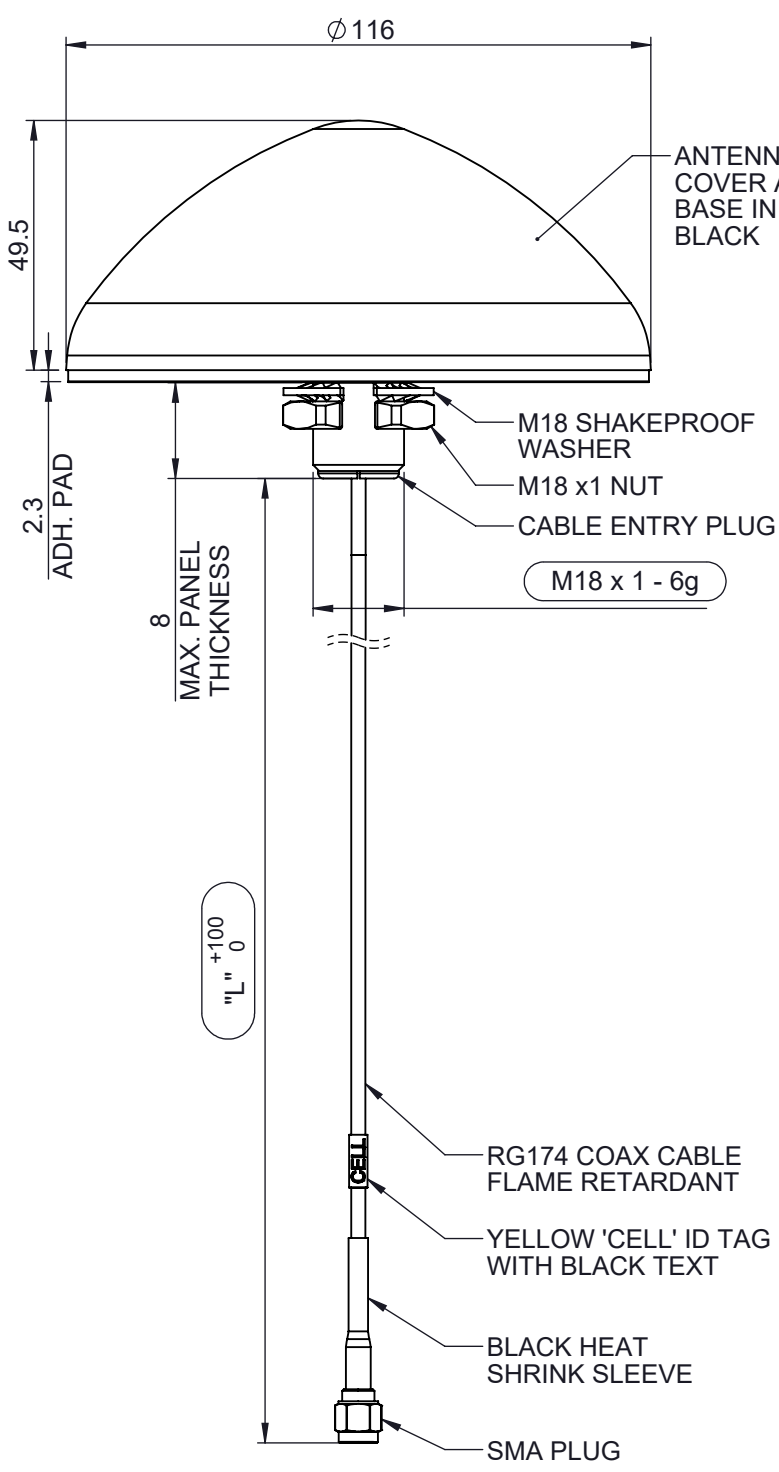
DO NOT SCALE DENOTES LATEST ISSUE CHANGES

DENOTES CRITICAL VALUE

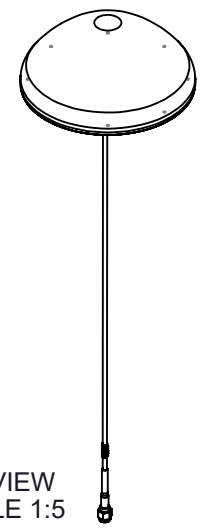
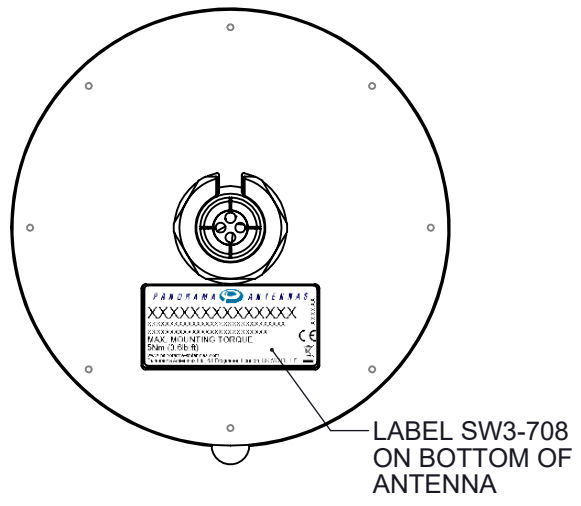
PROJECTION

TOLERANCES UNLESS OTHERWISE STATED			
0 DEC. PLACE	±0.5	2 DEC. PLACES	±0.1
1 DEC. PLACE	±0.2	ANGULAR	±1°

A
B
C
D
E



- NOTES:
- SAMPLES MUST BE APPROVED BY PANORAMA ANTENNAS Q.C. BEFORE COMMENCING PRODUCTION.
 - ALL MATERIALS SUPPLIED MUST BE RoHS3 (DIRECTIVE (EU) 2015/863) COMPLIANT AND MUST NOT CONTAIN ANY SUBSTANCES OF VERY HIGH CONCERN (SVHCs) LISTED UNDER REACH OR POLY-AROMATIC HYDROCARBONS (PAHs), OR PERSISTENT ORGANIC POLLUTANTS (POPs) CONTROLLED BY THE STOCKHOLM CONVENTION.



ISO VIEW
SCALE 1:5

PART NUMBER	"L" CABLE LENGTH (mm)	WEIGHT (g)
LP-7-38-1SP	1000	350
LP-7-38-3SP	3000	450

F					PRODUCT/ASSEMBLY	DESCRIPTION						
					1008-M2M LOW PROFILES	LO PRO 4G/3G/2G DOME VARm SMA (m)						
					MATERIAL	N/A						
01019	A	INITIAL ISSUE	16/04/2019	AR	FINISH	N/A						
01019	1	PRODUCTION ISSUE AND RESISTOR REMOVED	12/06/2019	AR								
PCN	REV.	DESCRIPTION	DATE	DRN	WEIGHT	SEE TABLE	SHEET 1 OF 2					
						APPROVED	KD	D.O.CHECK	PE	SCALE	1:5	DIMENSIONS IN mm
						PANORAMA				ANTENNAS		