

# HIGH END DESIGN Aluminium Case **HD** SERIES

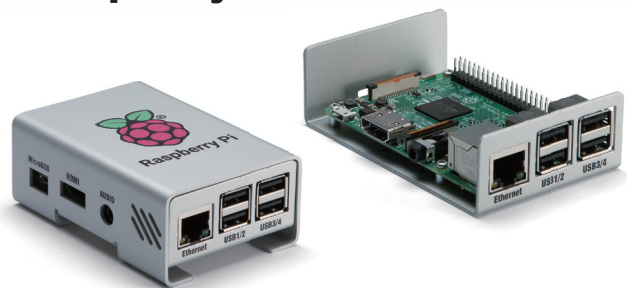


**Distinctive design,  
suitable for many different devices**

**Industrial Embedded System**



**Raspberry Pi**



**Data Transmitter / Receiver**



**Measurement / Test Equipment**

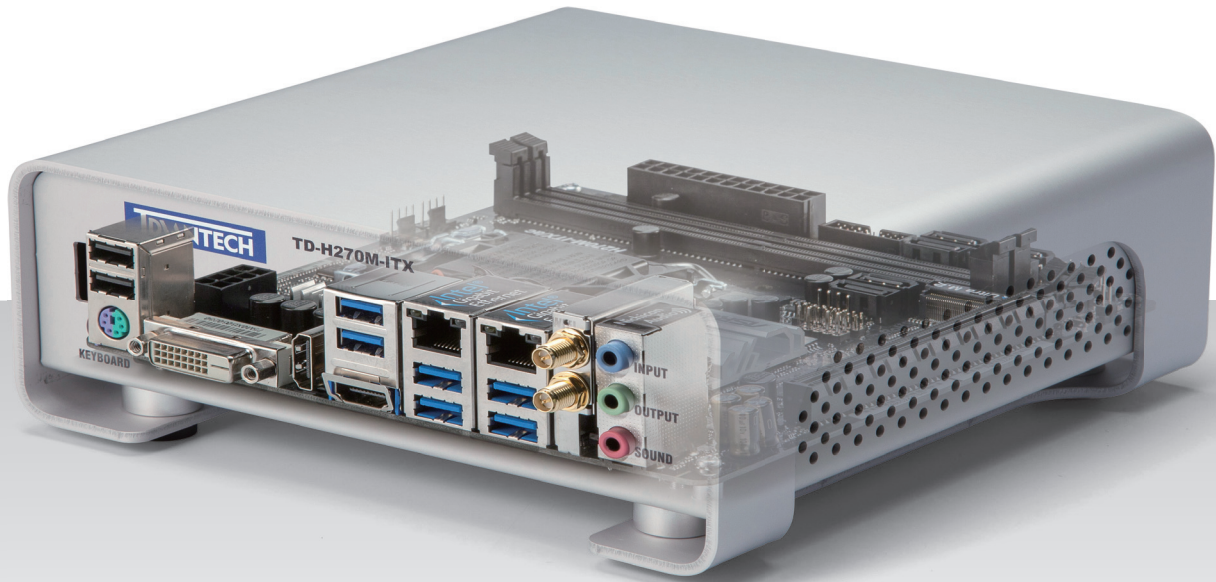


**Audio Amplifier**



**Power Supply**





## Compatibility with Standard Board Sizes

### Raspberry Pi

Board Size  
56×85mm

### EURO BOARD

Board Size  
100×160mm

### 3.5 inch Board

Board Size  
146×102mm

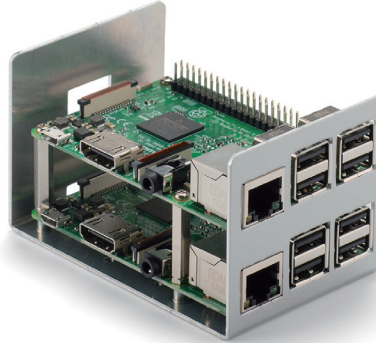
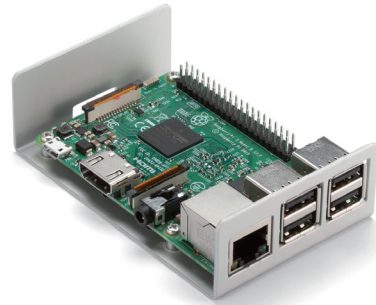
### Mini STX

Board Size  
140×147mm

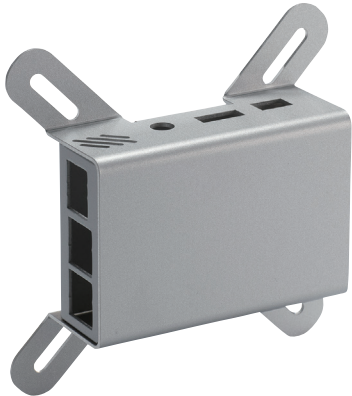
### Mini ITX

Board Size  
170×170mm

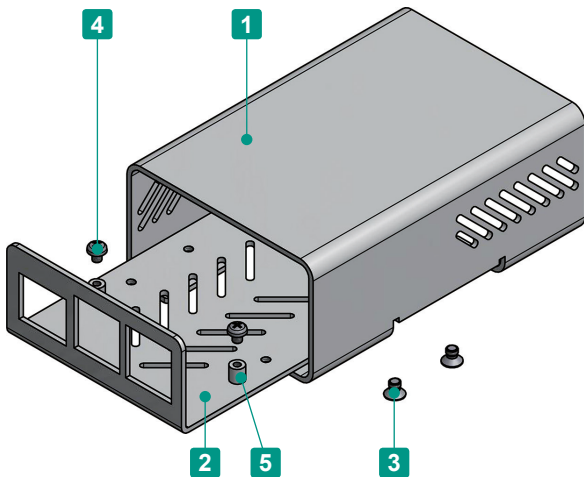
● See page 198 and 200 for more details.



Two Raspberry Pi boards can be installed in RPI-2 model.



RPI-1F is compatible with VESA formula screw pitch (75 x 75mm / 100 x 100mm) and can be installed on the back side of PC displays, etc.



- Exclusively for use with Raspberry Pi.  
Compatible with Raspberry Pi 2B, 3B and 3B+ boards.
- All aluminium, polished and elegant metallic silver finish.
- 3 types are available: normal, double-layered, and flanged.
- The internal part is made to be conductive.
- Raspberry Pi Board is not included.

Included screws  
M3-4 Flat-head x 4 pcs (for case)  
M2.5-3 Pan-head x 4 pcs (for board)

Components

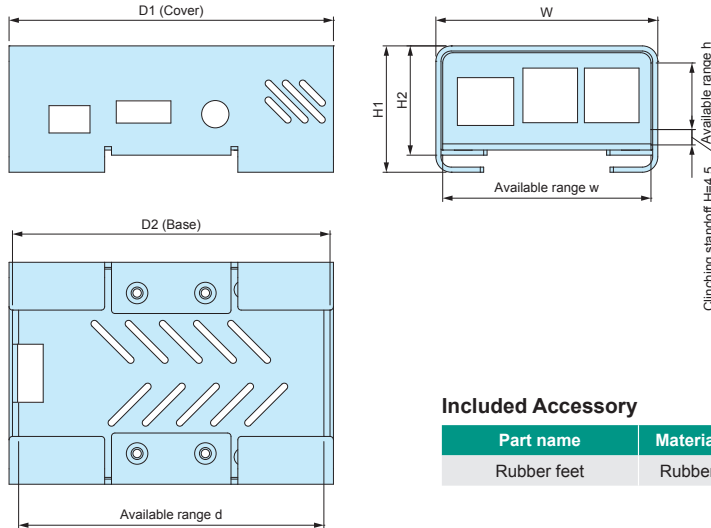
No.	Part name	Pcs	Material	Color / Finish
1	Cover	1	Aluminium A1100P t=1.5	Metallic silver / Painted : Conductive inside
2	Base	1	Aluminium A1100P t=1.5	Metallic silver / Painted : Conductive inside
3	Screw (M3-4 Flat-head)	4	Steel	Trivalent chromate
4	Screw for Board (M2.5-3)	4	Brass	Nickel plated
5	Clinching standoff	4	Steel	Trivalent chromate



RPI dimensions

■ Drawings below are reference examples only.  
DXF/DWG/PDF drawings available on our website.

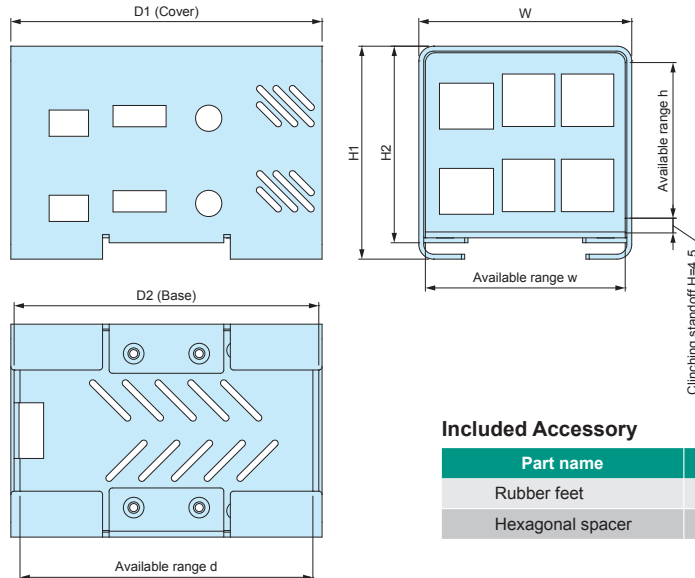
RPI-1



Included Accessory

Part name	Material	Color / Finish
Rubber feet	Rubber	Black

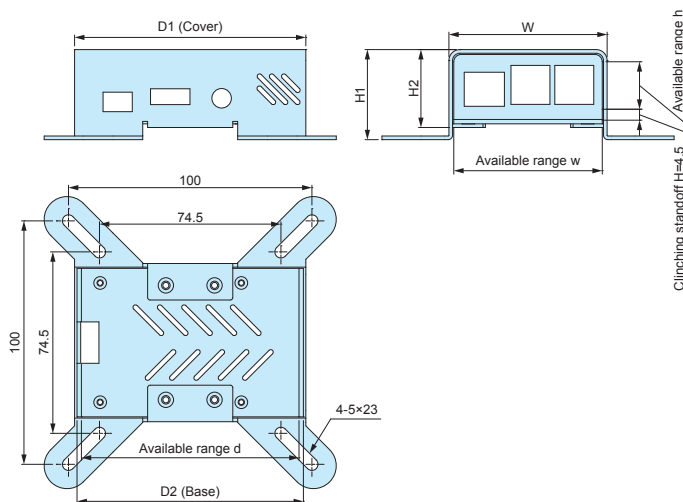
RPI-2



Included Accessory

Part name	Material	Color / Finish
Rubber feet	Rubber	Black
Hexagonal spacer	Brass	Nickel plated

RPI-1F



Components

Product no.	W	H1	H2	D1	D2	w	h	d	Weight (g)
<b>NEW</b> RPI-1	65	37	32	95	93	61	19.5	90	90.5
<b>NEW</b> RPI-2	65	65	60	95	93	61	47.5	90	136
<b>NEW</b> RPI-1F	65	37	32	95	93	61	19.5	90	91.5