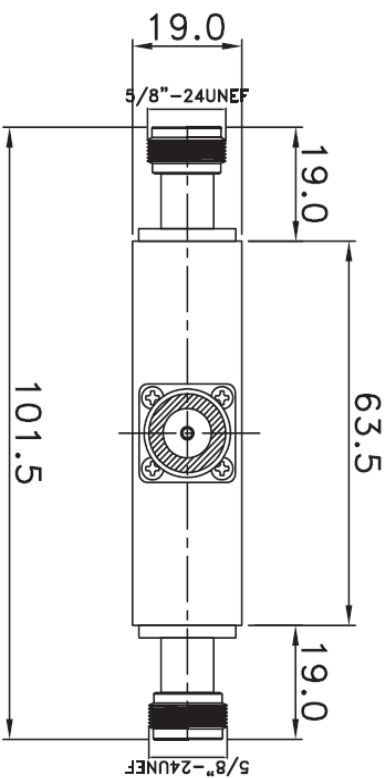
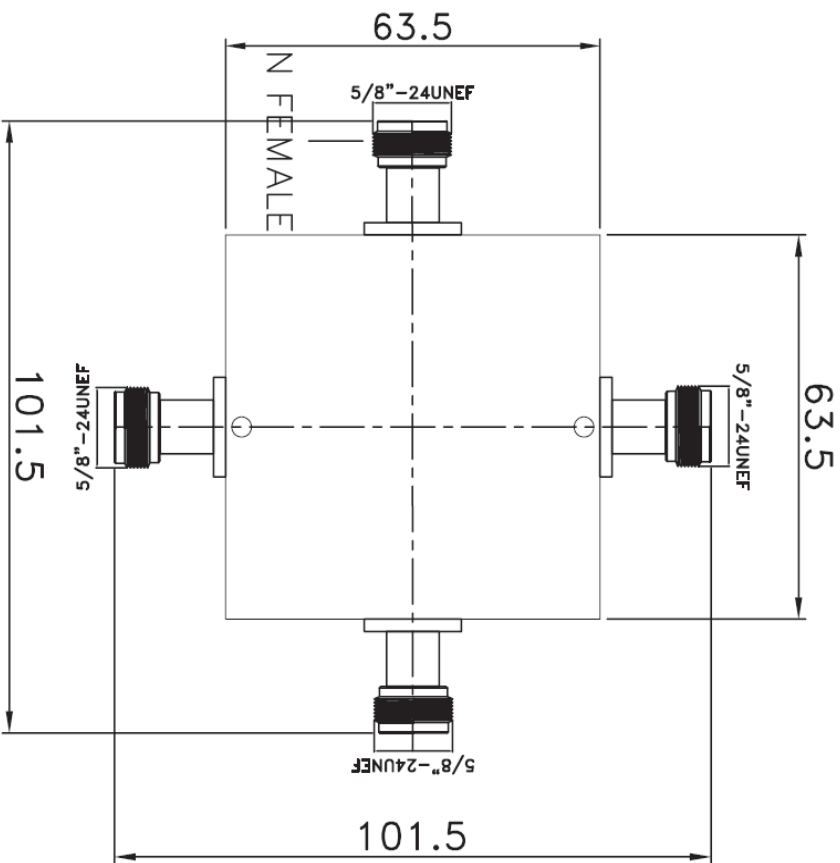


REV	DESCRIPTION	DRAWN	DATE

5000-6000MHZ 1 TO 3 WAYS SPLITTER FOR N FEMALE



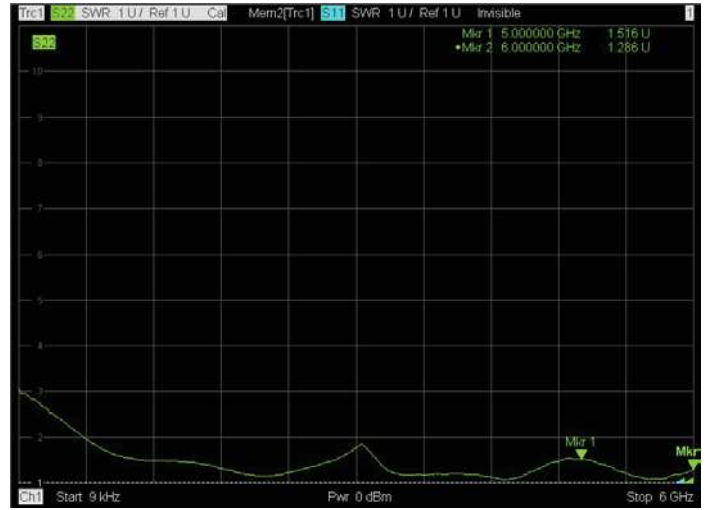
7	Power (W) : ≥ 30
6	Port Connectors : N FEMALE
5	Isolation (dB) : ≥ 22
4	Phase Balance : 5°
3	Amplitude Balance (dB) : ≤ 0.3
2	Insertion Loss (dB) : ≤ 5.7
1	Frequency Range (MHz) : 5000-6000 MHz
NO	Description

UNLESS OTHERWISE SPECIFIED		*MAJOR DIMENSION		APPROVED	
1.REMOVE ALL BURRS		UNLESS OTHERWISE		CHECKED	
2.BREAK ALL CORNERS &		NOTED TOLERANCES		DRAWN	
3.CHAMFER 1ST & LAST		0.5-6=±0.2		DRAWN DATE 03/07/04	
4.THREADS 1ST & LAST		6-30=±0.4		FILE NO.	
5.DIAMETERS ON COMMON		30-120=±0.6		DRAWING NO. SP-58-02	
6.CENTERS TO BE CONCENTRIC		120-315=±1.0		TITLE	
7.WITHIN DIMENSIONS ARE		ANGLES=±1°		5000-6000MHZ 1 TO 3 WAYS SPLITTER FOR N FEMALE	
8.ALL DIMENSIONS ARE		SCALE 5/1		REV A	
9.AFTER PLATING.		UNIT MM			

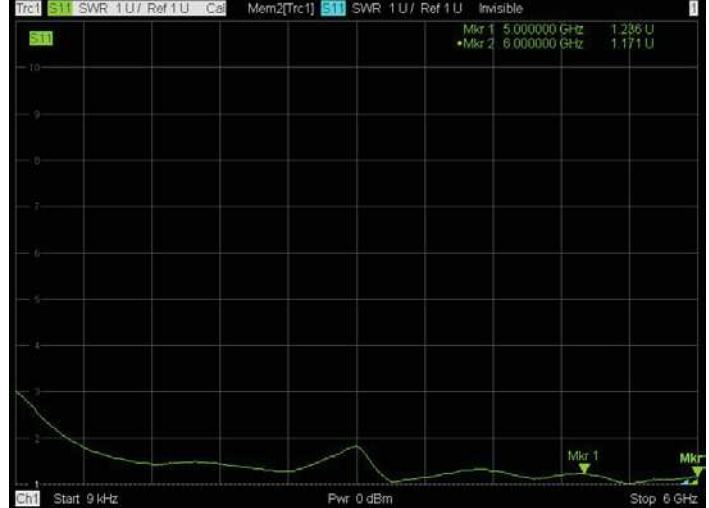
S11



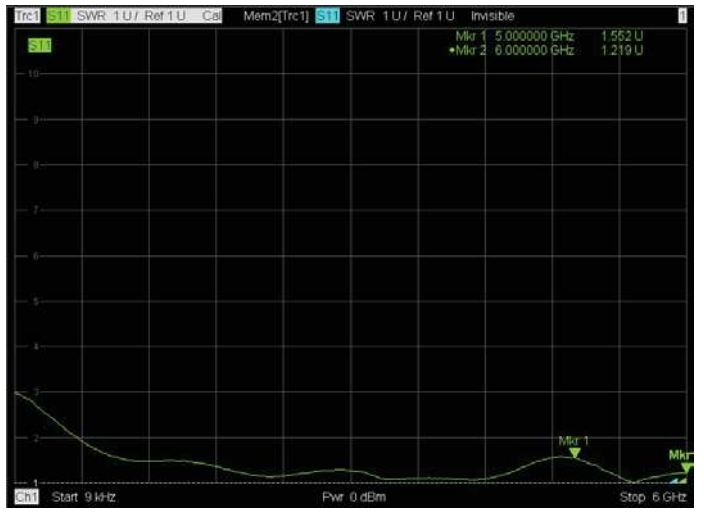
S22



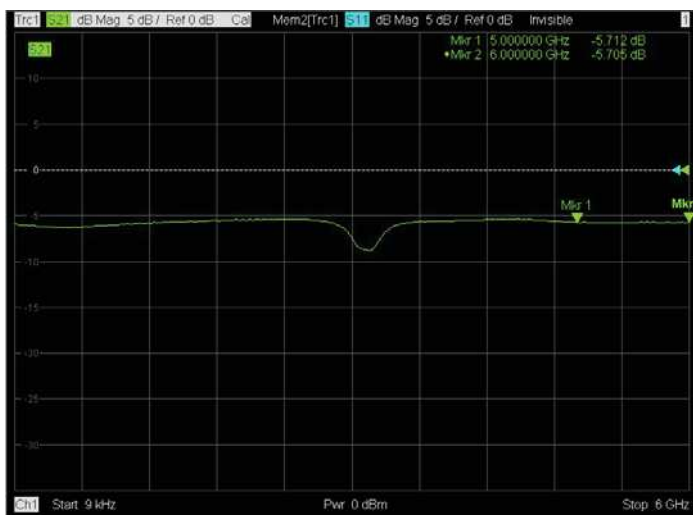
S33



S44



S12



S13



S14

