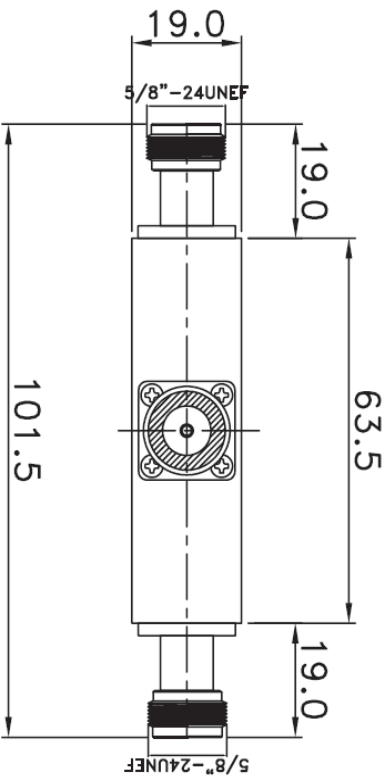
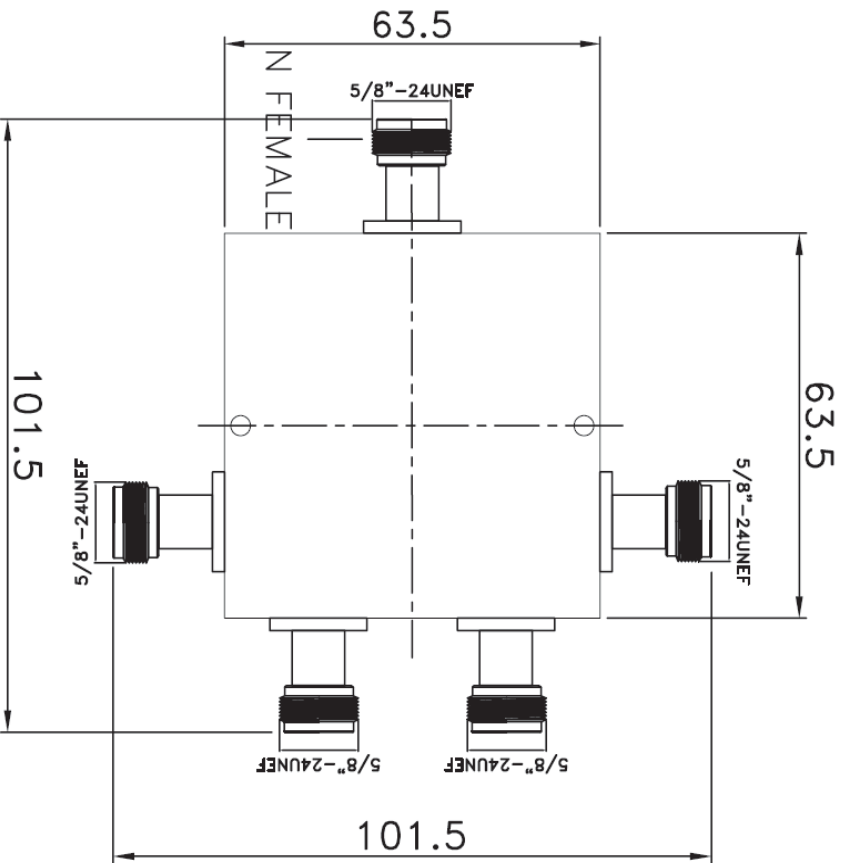


REV	DESCRIPTION	DRAWN	DATE

5000-6000MHZ 1 TO 4 WAYS SPLITTER FOR N FEMALE



7	Power (W) : ≥ 30
6	Port Connectors : N FEMALE
5	Isolation (dB) : ≥ 22
4	Phase Balance : 5°
3	Amplitude Balance (dB) : ≤ 0.3
2	Insertion Loss (dB) : ≤ 6.8
1	Frequency Range (MHz) : 5000-6000 MHz
NO	Description

UNLESS OTHERWISE SPECIFIED
 1.REMOVE ALL BURRS
 2.BREAK ALL CORNERS & EDGES CO.15 MAX
 3.CHAMFER 1ST & LAST THREADS 45°
 4.DIAMETERS ON COMMON CENTERS.
 TO BE CONCENTRIC WITHIN 0.1MM
 5.ALL DIMENSIONS ARE AFTER PLATING.

*MAJOR DIMENSION
 UNLESS OTHERWISE NOTED TOLERANCES
 0.5-6 = ± 0.2
 6-30 = ± 0.4
 30-120 = ± 0.6
 120-315 = ± 1.0
 ANGLES = $\pm 1^\circ$

SCALE	5/1	UNIT	MM	DRAWN DATE	03/07/04
APPROVED	CHECKED	DRAWN	andrew	DRAWN DATE	03/07/04

TITLE	DRAWING NO.	REV
5000-6000MHz 1 TO 4 WAYS SPLITTER FOR N FEMALE	SP-58-03	A

S11



S22



S33



S44



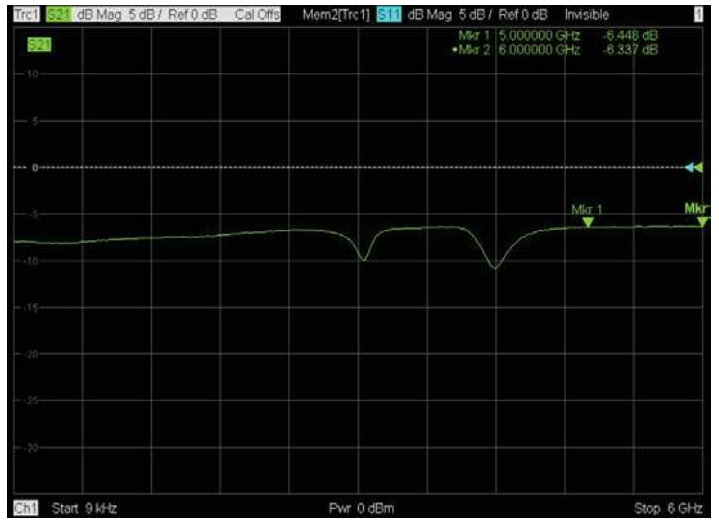
S55



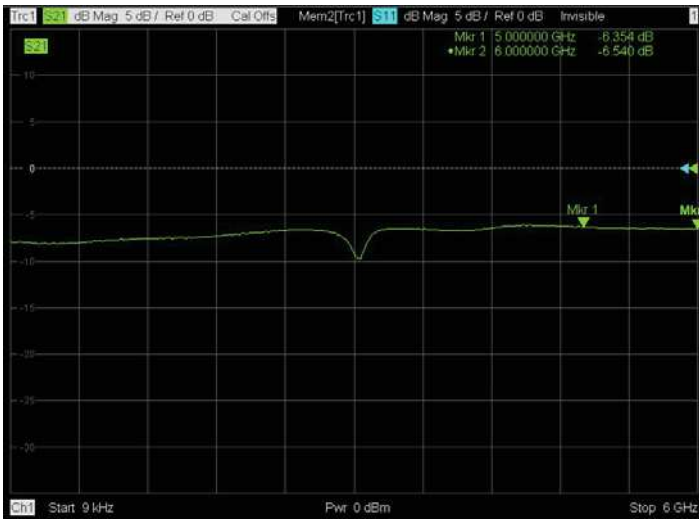
S12



S13



S14



S15

