

AOA-2409N

2.4GHz 9dBi Omni Antenna

Quality Ensured

100% tested individually during production;
VSWR Test Report is included in the package

Applications

- 2.4 – 2.5GHz ISM Band
- IEEE 802.11b, g, n Wireless LAN
- Wireless Hotspot/Access Point/CPE
- Mesh network application

Features

- Superior performance
- Quality assurance
- Lightweight design
- All weather operation
- Pole / Wall mount

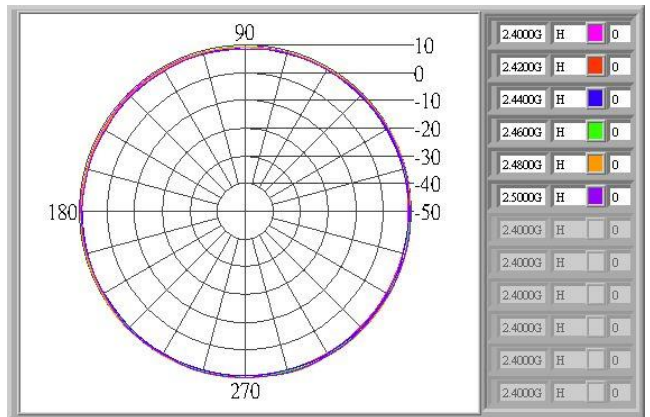
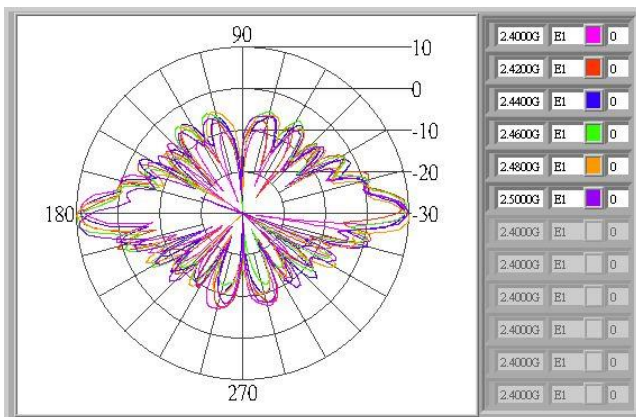
Package Contents

- Antenna
- Mounting kits
- Water-resistant tape
- Test report



Installation Diagram
with ALFA Tube

Antenna Gain Pattern



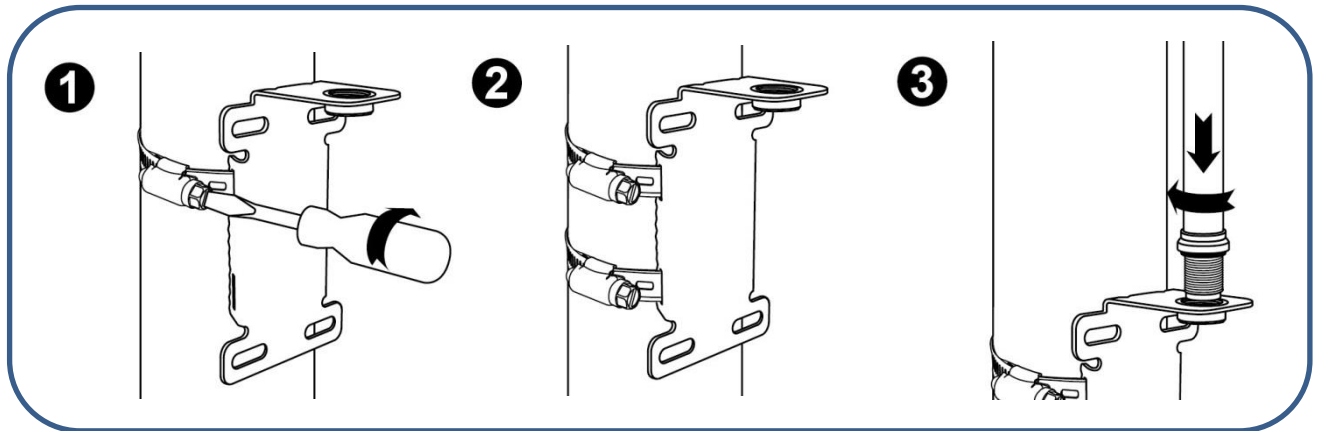
AOA-2409N

2.4GHz 9dBi Omni Antenna

Specifications

Frequency Range	2400 - 2500MHz	Length	570mm
V.S.W.R	< 2.0:1	Weight	285g
Radiation	Omni	Mount Style	Pole / Wall mount
Gain	9dBi	Material	Antenna: Fiberglass Mount: Stainless Steel
Polarization	Vertical	Storage Temperature	-40 to 80°C
Maximum Power	50 Watts	Operating Temperature	-40 to 60°C
Impedance	50Ω	Storage Humidity	10% - 90%
Connector	N Female		

Installation Guide

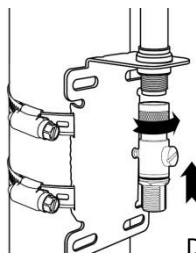


Recommend Related Product



ALR06

6GHz Lightning Protector



Direct mount with AOA-2409N