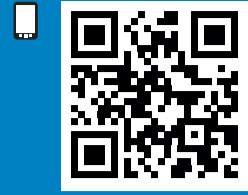


more information at:
www.dualrack.de



Get more information about VARIA and the DualRack at dualrack.de or varia.org

19" DualRack

19" R DualRack Redundancy

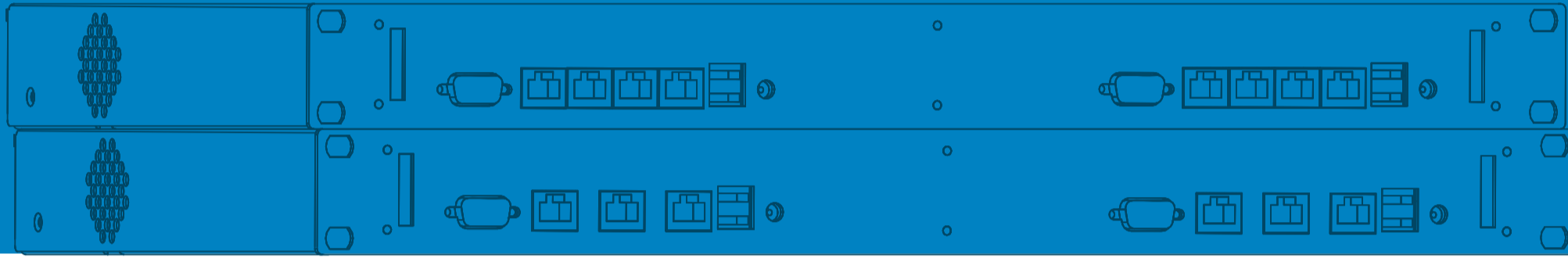
VARIA System GmbH
Dr.-Salvador-Allende-Straße 191
09119 Chemnitz - Germany

Phone: +49 (0) 371 400 76 82
Fax: +49 (0) 371 400 76 85
Mail: info@varia.org
Web: www.varia.org

www.DUALRACK.de

MANUAL AND BOARD ASSEMBLING

THINK AHEAD, THINK EMBEDDED



EN	© 2020 PC Engines, VARIA System GmbH. All rights reserved. PC Engines, ALIX Board, APU Board and VARIA and related trademarks, names and logos are the property of PC Engines or VARIA and are registered around the world. Kit contains various components - item details, CE declarations and country of origin are pending for VARIA models. PC Engines and VARIA assume no obligations or liability and make no representations, warranty, endorsement or guarantee in relation to any aspect of third party products or services. The PC Engines boards contain batteries. Note the proper use and disposal of the battery. You can also contact the VARIA support about more information.
DE	© 2020 PC Engines, VARIA System GmbH. Alle Rechte vorbehalten. PC Engines, ALIX Board, APU Board und VARIA und die zugehörigen Marken, Namen und Logos sind Eigentum von PC Engines oder VARIA und weltweit als Marke eingetragen. Das Kit enthält verschiedene Komponenten: Informationen zum Herkunftsland, CE-Konformitätsklärung und weitere Anhaltspunkte finden Sie auf dem Lehrzettel oder der VARIA Rechnung. PC Engines und VARIA übernehmen keinerlei Haftung bzw. Verantwortung, Gewährleistung oder Garantie in Bezug auf Produkte oder Dienstleistungen von Drittanbietern. PC Engines Boards können Batterien enthalten. Sorgen Sie für eine ordnungsgemäße Verwendung und Entsorgung der Batterie. Für weitere Informationen können Sie auch den Support von PC Engines oder VARIA kontaktieren.
FR	© 2020 PC Engines, VARIA System GmbH. PC Engines, ALIX Board, APU Board et VARIA, ainsi que les marques commerciales, noms et logos associés, sont la propriété de PC Engines ou VARIA et sont déposés dans d'autres pays du monde. Le kit comprend plusieurs composants: raportez-vous au manuel CE et d'origine pour chacun des éléments. PC Engines et VARIA décline toute obligation ou responsabilité et n'offre aucune représentation, garantie ou approbation concernant les différents aspects des produits ou services tiers. Le PC Engines board contient une batterie. Notez l'utilisation et l'élimination de la batterie. Pour plus d'informations, vous pouvez également contacter le support de PC Engines ou VARIA.
ES	© 2020 PC Engines, VARIA System GmbH. Todas las derechos reservados. PC Engines, ALIX Board, APU Board y VARIA y las marcas comerciales, nombres e logotipos relacionados son propiedad de PC Engines o VARIA y están registrados en utilizan en diferentes países del mundo. El kit consta de varios componentes. Consulte cada elemento por sí mismo en el país de origen. CE. PC Engines and VARIA no garantiza en modo alguno la información sobre productos o servicios de terceros y no asume ningún tipo de obligación responsabilidad con dicha información. El PC Engines board contiene una batería. Tenga en cuenta el uso adecuado y la eliminación de la batería. También puede ponerse en contacto con el soporte VARIA para más información.
IT	© 2020 PC Engines, VARIA System GmbH. Tutti i diritti riservati. PC Engines, ALIX Board, APU Board e VARIA e relativi marchi, nomi e loghi sono di proprietà di PC Engines o VARIA e utilizzati negli in altri Paesi. Il kit contiene vari componenti: verificare il Paese di origine di ciascun elemento. PC Engines e VARIA non si assume alcun obbligo o responsabilità, né fornisce dichiarazioni o garanzie in merito a qualsiasi aspetto di prodotti e servizi di terzi. Le PC Engines Boards di Sistema contiene una batteria. Utilizzare e smaltire la batteria osservando le indicazioni riportate nell'opuscolo con informazioni sul corretto uso della batteria. È inoltre possibile contattare il PC Engines o di VARIA supporto per maggiori informazioni.
<p>CE - Applies only to certain parts, not to the entire bundle or ready system.</p>	
<p>Disconnect power before removing cover! Vor dem Öffnen den Netzstecker ziehen!</p>	

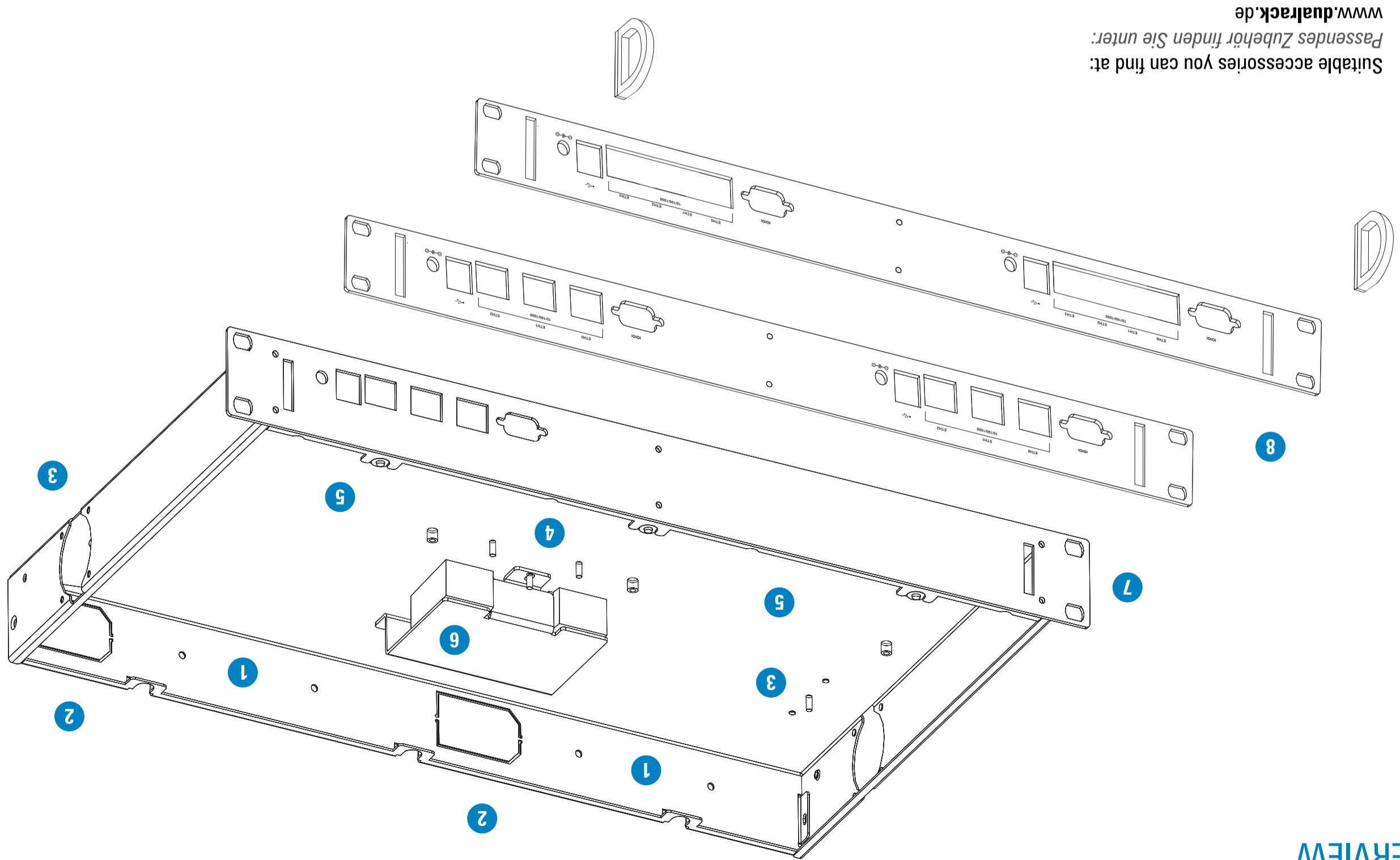


You can find us on: varia.org



- 1 Internal power supply *
- 2 IEC power connector *
- 3 Case fans *
- 4 2.5" HDD mounting adapter *
- 5 Main Board slots
- 6 Redundancy module *
- 7 Standard front panel (APU2 series)
- 8 Dual Slot Frontblende (APU2 and APU4 series) *

* Optional accessories, Optionales Zubehör

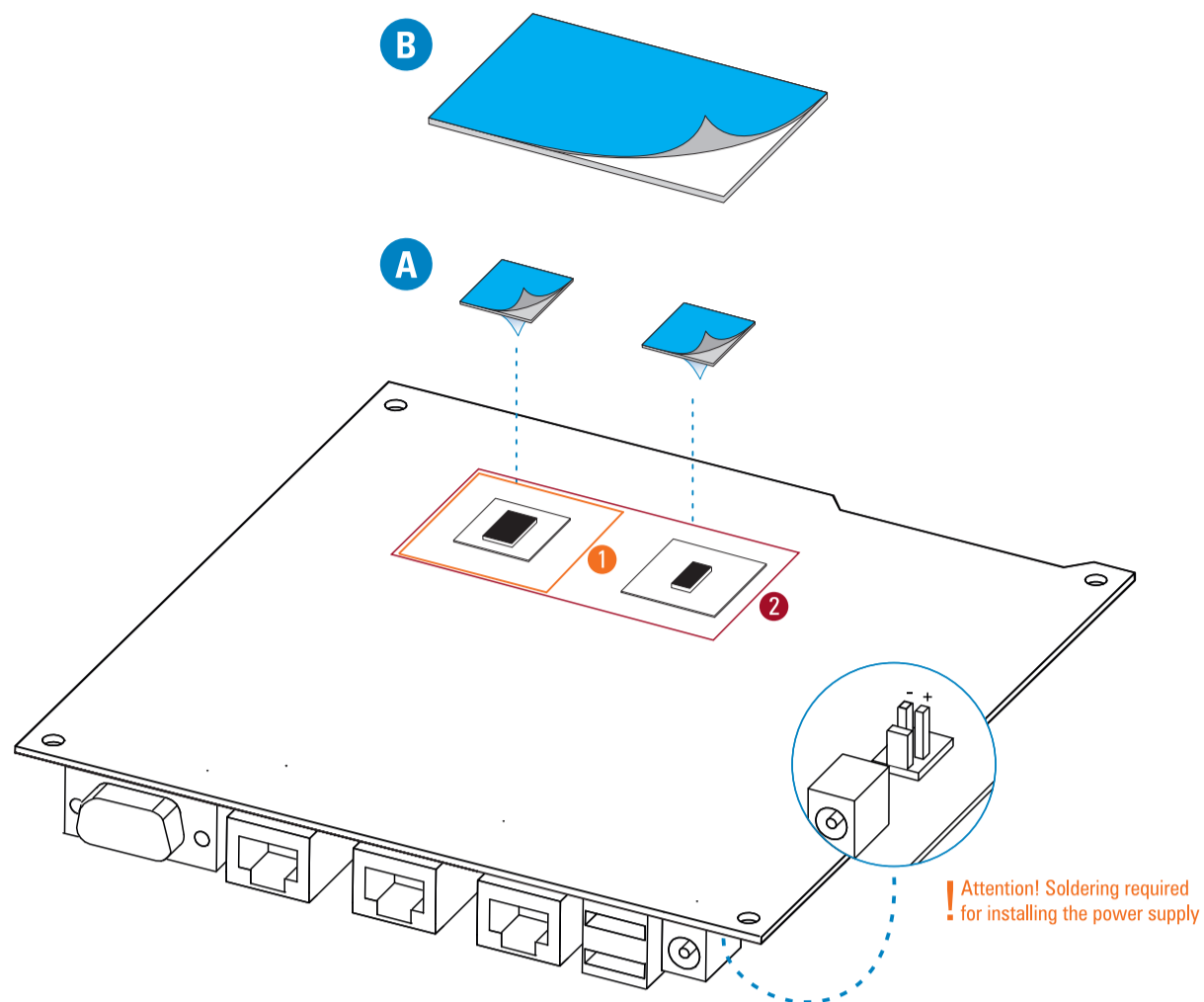


Suitable accessories you can find at:
Passendes Zubehör finden Sie unter:
www.dualrack.de

OVERVIEW

INSTALLING THE HEAT SINK

Please note: Skip this step if you are using the board models ALIX.2D13, 2D2 and/or 6F2. These boards do not need further cooling elements.



- 1 Heat sink installation for APU2, APU3 and APU4
- 2 Heat sink installation for APU1

Attach both thermal pads to the respective AMD chipsets on the bottom side of the board as shown in (A). The previously cleaned cooling element (B) has to be put on both thermal pads then, covering them completely.

Please pay attention to the correct positioning of the pads. They always have to be attached with the blue protection film facing up. Please remove all protection films before the final assembly.

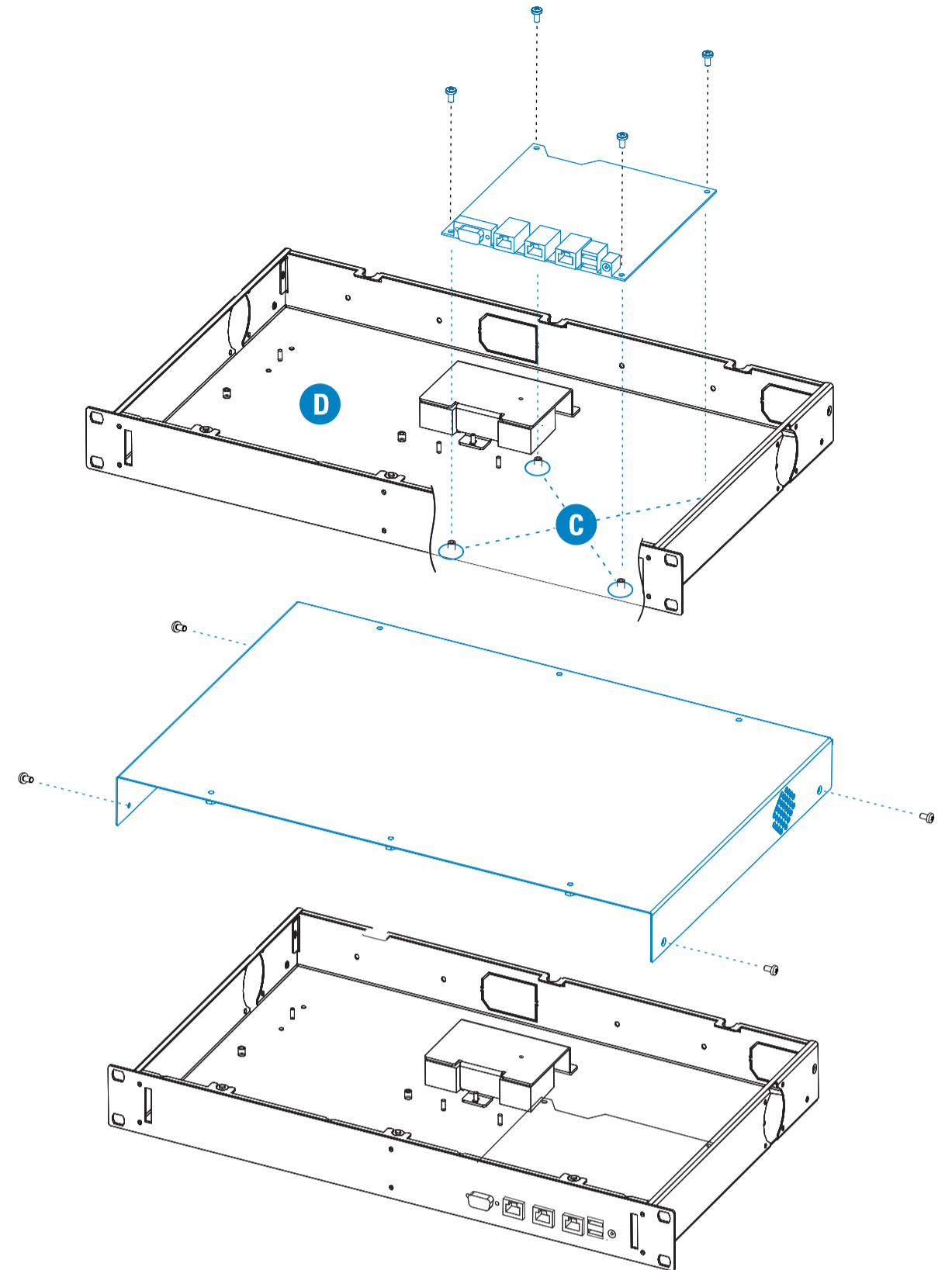
After the final assembly, there should be no space left between the cooling element of the board and the inside of the case.

Before installing the board, please first remove the screws of the serial interface.

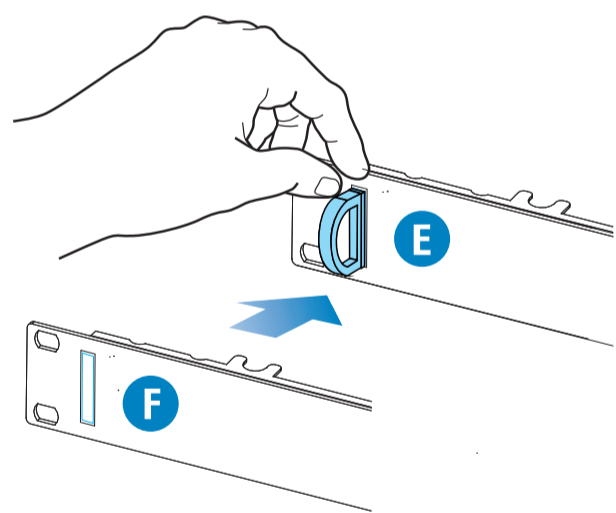
Then screw the board on the assembly points (C) inside the DualRack case (D). Now install the screws of the serial interface again.

After fixing the board, please close the case by installing the cover. Do not use the device with the cover left open!

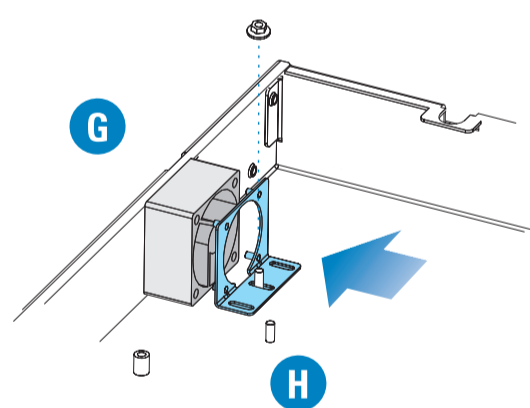
BOARD INSTALLATION



ATTACHING THE HANDLES



MOUNTING THE FAN

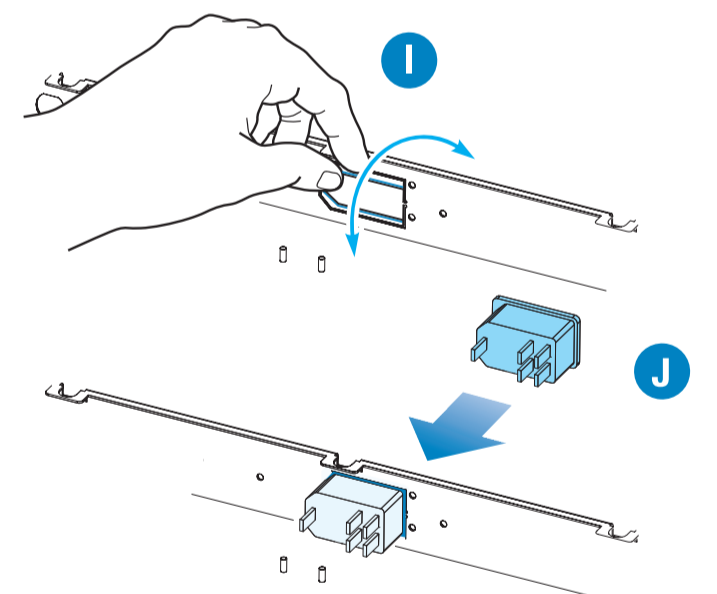


Plug the handles (E) in opening (F)

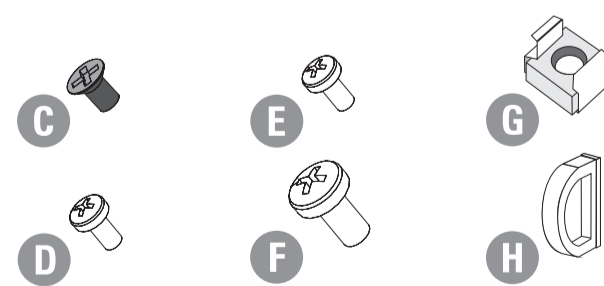
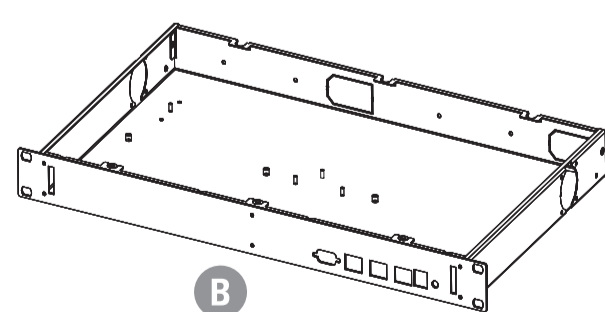
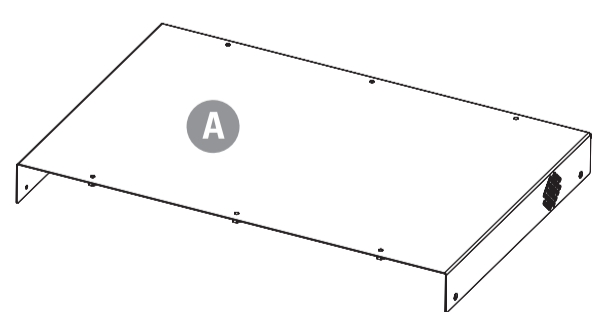
Position the fan (G) behind the provided fan holes. Put the fan mount (H) on the mounting thread and push it against the fan. Use the nut for fixation (included with fan mounting kit).

Take out the dummy plate (I) and insert the power supply (J) from the outside. The power supply has to click into place!
Beware of sharp edges!

INSTALLING THE POWER SUPPLY



CONTENTS



Contents

	Qty.
(A) Cover	1
(B) Case	1
(C) Case Screws	4
(D) Board Screws	8
(E) Power Supply Screws	4
(F) Rack Mount Screws	4
(G) Rack Mount Nuts	4
(H) Handle	2



Suitable accessories you can find at:
Passendes Zubehör finden Sie unter:
www.dualrack.de

You can find us on: varia.org

Original
varia equipment