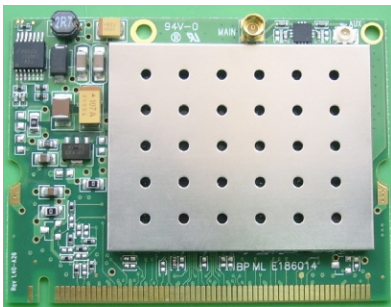




WLM54A-26dBm (400mw)

WLM MINIPCI Series



Compex WLM54A-26dBm miniPCI network adapter offers high output power of 400 mW, allowing an extended range of wireless coverage. Combined with excellent receiver sensitivity, WLM54A-26dBm is the miniPCI choice for long distance links, or those where signal levels are reduced due to minor obstructions such as trees or buildings. WLM54A-26dBm supports Super A mode, which delivers better performance at higher throughput for your network connectivity.

Built on Atheros chipsets, Compex WLM54A-26dBm miniPCI network adapter can be used for all IEEE 802.11a compatible WLAN in the 5GHz band. It is ideal for integration in a wide range of OEM devices.

Features

- 5GHz IEEE 802.11a standard
- High Output Power of Up to 26dBm
- Dynamic Frequency Selection (DFS)
- Supports Atheros Proprietary "Super Mode" allowing for 108Mbps Data Speeds
- Wireless Encryption and Authentication Supported
- Transmission Power Control (TPC)
- Extended Distances and High Speeds Due to Better Output Signal Power
- High Performance with Low Power Consumption
- Multi-Country Roaming Support (IEEE802.11d)
- MMCX (main), U.FL (aux) Antenna Connector
- Suitable for Embedded System or OEM Project
- Affordable and Ideal for a Variety of Applications



Technical Specifications										
Chipset	Atheros AR5414									
Host Interface	PCI Interface v2.3 (Type III-B Mini PCI form factor)									
Operating Voltage	3.3 VDC									
Power Consumption	5W									
Antenna Connector	MMCX (main), U.FL (aux)									
Standards	IEEE 802.11a:	54Mbps	48Mbps	36Mbps	24Mbps	18Mbps	12Mbps	9Mbps	6Mbps	
	Super-A:	108Mbps	96Mbps	72Mbps	54Mbps	48Mbps	36Mbps	24Mbps	18Mbps	12Mbps
Frequency Range	IEEE 802.11a	5.150 ~ 5.350 GHz, 5.470 ~ 5.725GHz, 5.725 ~ 5.850 GHz (US & Canada)								
		5.150 ~ 5.350 GHz, 5.470 ~ 5.725GHz, 5.725 ~ 5.875 GHz (Europe)								
		5.150 ~ 5.250 GHz, 5.250 ~ 5.350GHz, 5.470 ~ 5.725GHz(Japan)								
Modulation Techniques	OFDM: BPSK, QPSK, 16 QAM, 64QAM									
Security	64/128-bit WEP, TKIP, AES, IEEE802.1x authentication									
Certificate	FCC, CE									
ROHS Compliance	Yes									
Environment Specifications	Operating: -20°C to 70°C Storage: -65°C to 100°									
Humidity	5% to 95% (non-condensing)									
Dimension	59.6 x 46 x 8 mm									
Weight	18 grams									

WLM54A-26 MINIPCI CARD RADIO OPERATING FREQUENCY 5.03~5.85GHz							
TX SPECIFICATIONS				RX SPECIFICATIONS			
	DataRate	TX Power	Tolerance		DataRate	Sensitivity	Tolerance
802.11a	6Mbps	26dBm	+1.0/-1.5 dB	802.11a	6Mbps	-95dBm	±2dB
	9Mbps	26dBm	+1.0/-1.5 dB		54Mbps	< -72dBm	±2dB
	12Mbps	26dBm	+1.0/-1.5 dB				
	18Mbps	26dBm	+1.0/-1.5 dB				
	24Mbps	26dBm	+1.0/-1.5 dB				
	36Mbps	24dBm	+1.0/-1.5 dB				
	48Mbps	22dBm	+1.0/-1.5 dB				
	54Mbps	20dBm	+1.0/-1.5 dB				

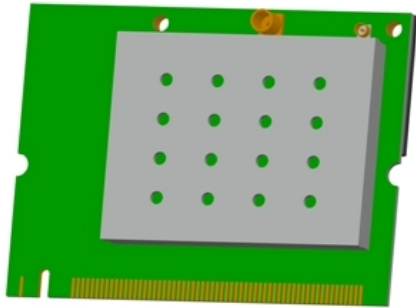
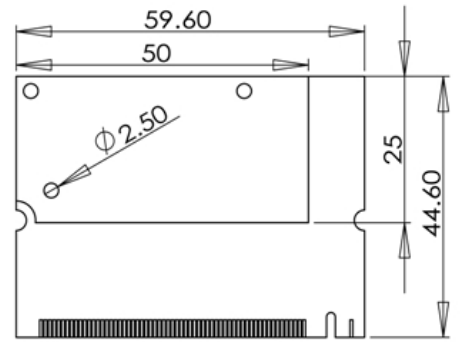
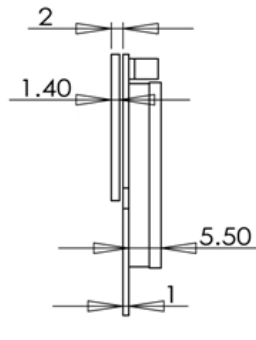
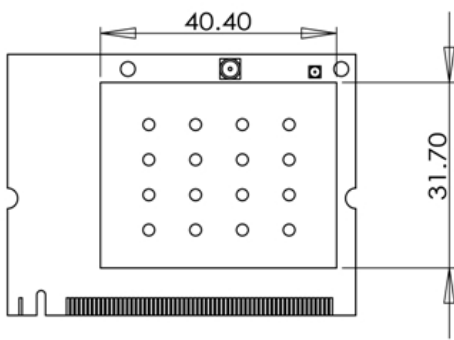
ADJUSTABLE CHANNEL SIZE SUPPORT			
5MHz	10MHz	20MHz	40MHz

ORDERING CONFIGURATIONS^①

CODES	SPEED	CARTON DIMENSIONS
WLM54A 6BA1100P26	Up to 108 Mbps	For 50pcs (pcs/ctn), 0.40m * 0.22m * 0.085m / 0.006 = 1.5KG
WLM54A 6BA1300P26	Up to 108 Mbps	For 250pc (pcs/ctn), 0.45m * 0.45m * 0.24m / 0.006 = 8.1KG

- Configurations are subjected to change without notice

DIMENSIONS DRAWING



WLM FAMILY SERIES OF MINIPCI

b / g (2.4GHz)								a / b / g (2.4/5GHz)				
MODEL	WLM 54G-20dBm	WLM 54G-23dBm	WLM 54G-26dBm	WLM 54G-28dBm	WLM54G-30dBm	WLM200N2	WLM200N2-26dBm	WLM 54AG – 20dBm	WLM 54AG – 23dBm	WLM 54A – 26dBm	WLM200NX	WLM200N5-26
CHIPSET	AR 2413/2414 (AR5005G/GS)	AR 2413/2414 (AR5005G/GS)	AR 2413/2414 (AR5005G/GS)	AR 2413/2414 (AR5005G/GS)	AR 2413/2414 (AR5005G/GS)	AR9223	AR9223	AR 5413/5414 (AR5006X/XS)	AR 5413/5414 (AR5006X/XS)	AR5414 (AR5006X/XS)	AR9220	AR9220
SPEED	UP TO 54/108Mbps	UP TO 54/108Mbps	UP TO 54/108Mbps	UP TO 54/108Mbps	UP TO 54/108Mbps	UP TO 300Mbps physical data rates	UP TO 300Mbps physical data rates	UP TO 54/108Mbps	UP TO 54/108Mbps	UP TO 108Mbps	UP TO 300Mbps physical data rates	UP TO 300Mbps physical data rates
OUTPUT POWER (Average)												
802.11a								20dBm@6-24Mbps	23dBm@6-24Mbps	26dBm@6-24Mbps	20dBm@6-24Mbps	26dBm@6-24Mbps
								17dBm@36Mbps	21dBm@36Mbps	24dBm@36Mbps	17dBm@36Mbps	26dBm@36Mbps
								16dBm@48Mbps	19dBm@48Mbps	22dBm@48Mbps	16dBm@48Mbps	25dBm@48Mbps
								13dBm@54Mbps	17dBm@54Mbps	20dBm@54Mbps	13dBm@54Mbps	19dBm@54Mbps
802.11b	20dBm@1-11Mbps	23dBm@1-11Mbps	26dBm@1-11Mbps	28dBm@1-11Mbps	30dBm@1-11Mbps	20dBm@1-11Mbps	26dBm@1-11Mbps	20dBm@1-11Mbps	23dBm@1-11Mbps		20dBm@1-11Mbps	
802.11g	20dBm@6-24Mbps	23dBm@6-24Mbps	26dBm@6-24Mbps	28dBm@6-24Mbps	30dBm@6-24Mbps	20dBm@6-24Mbps	26dBm@6-24Mbps	20dBm@6-24Mbps	23dBm@6-24Mbps		20dBm@6-24Mbps	
	19dBm@36Mbps	22dBm@36Mbps	25dBm@36Mbps	26dBm@36Mbps	28dBm@36Mbps	19.5dBm@36Mbps	26dBm@36Mbps	18dBm@36Mbps	21dBm@36Mbps		18dBm@36Mbps	
	17dBm@48Mbps	19dBm@48Mbps	24dBm@48Mbps	25dBm@48Mbps	27dBm@48Mbps	18.5dBm@48Mbps	22dBm@48Mbps	17dBm@48Mbps	19dBm@48Mbps		17dBm@48Mbps	
	16dBm@54Mbps	17dBm@54Mbps	22dBm@54Mbps	23dBm@54Mbps	25dBm@54Mbps	17dBm@54Mbps	21dBm@54Mbps	15dBm@54Mbps	17dBm@54Mbps		15dBm@54Mbps	
Interface	PCI Interface v2.3 (Type III-B/A Mini PCI Form Factor)											
Receiver Sensitivity	802.11g -95±2dBm @ 6Mbps < -72±2dBm @ 54Mbps					802.11b -95±2dBm @ 6Mbps < -92±2dBm @ 11Mbps		802.11a -95±2dBm @ 6Mbps < -72±2dBm @ 54Mbps				
Operating Channels	IEEE 802.11g: 11 Channel (US & Canada) 13 Channel (Europe) 14 Channel (Japan)						IEEE 802.11a: 13 Channel (US & Canada) 19 Channel (Europe) 10 Channel (Japan)					
Power	3.3VDC											
Operating Temperature	-20°C to 70°C											

Compex Systems Pte Ltd

135 Joo Seng Road, PM Industrial Building #08-01, Singapore 368363
Tel: (65) 6288 8220
Fax: (65) 6280-9947
Email: sales@compex.com.sg

Compex (CHANGSHU) CO. Ltd

Block 8, Haicheng Industrial Square Changshu Economic Development Zone, Jiangsu Province, China 215513
Tel: (86)-512-52297891
Fax: (86)-512-52698858

Compex (Suzhou) CO. Ltd

No. 12, ChuangTou Industrial Square, LouFeng North, Suzhou Industrial Park, Suzhou City, Jiangsu Province, China
Tel: (86)-512-62950031
Fax: (86)-512-62950032



Copyright © 2008 Compex Systems. All rights reserved. COMPEX and the COMPEX logo, are registered trademarks of COMPEX Inc. While every effort is made to ensure the information is accurate, Compex does not accept liability for any errors or mistakes that may arise. All specification is subject to change without notice. Datasheet Version: V 2.1.0 GH 090605

For more information, visit www.compex.com.sg