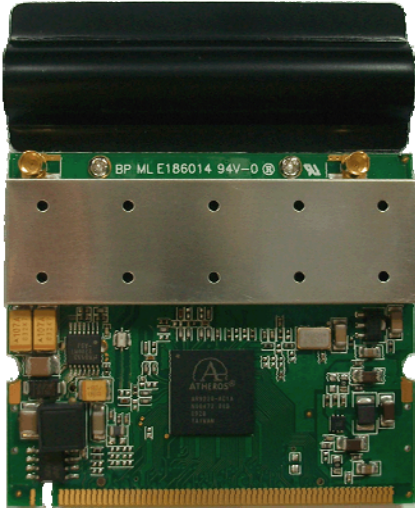


Radio module

WLM200N5-26 MINIPCI

2 x 2 802.11N MIMO mini-PCI



Features

- 5GHz IEEE draft 802.11n compliant and backward compatible with 802.11a
- 2x2 MIMO spatial multiplexing technique
- 5GHz band for high-end multimedia application
- Deliver 10 times the throughput and widen twice the range of legacy 802.11a
- Support up to 300Mbps physical data rates
- Transmission Power Control (TPC)
- Dynamic Frequency Selection (DFS)
- Multi-Country Roaming Support (IEEE802.11d)
- 2 X MMCX Antenna Connector
- Maximum 26dBm output Power (MiMo aggregate 29dBm)

Technical Specifications										
Chipset	AR9220									
Host Interface	PCI Interface v2.3 (Type III-A Mini PCI form factor)									
Operating Voltage	3.3 VDC									
Power Consumption	7W									
Antenna Connector	2 x MMCX Antenna Connector									
Data Rate	IEEE 802.11a :	54Mbps	48Mbps	36Mbps	24Mbps	18Mbps	12Mbps	9Mbps	6Mbps	
	IEEE 802.11n :	20MHz	1Nss: 65Mbps @ 800GI, 72.2Mbps @ 400GI (Max.)							
			2Nss: 130Mbps @ 800GI, 144.4Mbps @ 400GI (Max.)							
	40MHz	1Nss: 135Mbps @ 800GI, 150Mbps @ 400GI (Max.)								
2Nss: 270Mbps @ 800GI, 300Mbps @ 400GI (Max.)										
Frequency Range	IEEE 802.11a	5.150 ~ 5.350 GHz, 5.470 ~ 5.725GHz, 5.725 ~ 5.850 GHz (US & Canada)								
		5.150 ~ 5.350 GHz, 5.470 ~ 5.725GHz, 5.725 ~ 5.875 GHz (Europe)								
		5.150 ~ 5.250 GHz, 5.250 ~ 5.350GHz, 5.470 ~ 5.725GHz(Japan)								
	IEEE 802.11n	5.150 ~ 5.350 GHz, 5.470 ~ 5.725GHz, 5.725 ~ 5.850 GHz (US & Canada)								
		5.150 ~ 5.350 GHz, 5.470 ~ 5.725GHz, 5.725 ~ 5.875 GHz (Europe)								
		5.150 ~ 5.250 GHz, 5.250 ~ 5.350GHz, 5.470 ~ 5.725GHz(Japan)								
Modulation Techniques	OFDM: BPSK, QPSK, 16 QAM, 64QAM									
Radio & EMC Certificate	<p>FCC Part 15.407 (5.150--5.350GHz & 5.470--5.725GHz & 5.725 ~ 5.825GHz), FCC Part 15.247 (5.725 ~ 5.850GHz), FCC CFR Title 47 Part 15 Subpart C: Section 15.207 FCC CFR Title 47 Part 15 Subpart C: Section 15.209 FCC CFR Title 47 Part 15 Subpart C: 15.215(c) FCC CFR Title 47 Part 15 Subpart B: Class B ANSI C63.4 FCC OET 65 Limited module level approval.</p> <p>ETSI, EN 301 893, EN 302 502, EN 301 489- 1/17, EN 50392, EN 55022, EN 55024, EN 61000-3-2/3, EN 61000-4-3/4/5/6/11</p>									
ROHS Compliance	Yes									
Environment Specifications	Operating: -20°C to 70°C Storage: -40°C to 90°C									
Humidity	5% to 95% (non-condensing)									
Dimension	59.6 x 51 x 14.5mm									

WLM200N5-26dBm MIMO MINIPCI CARD RADIO							
TX SPECIFICATIONS							
	DataRate	TX Power					Tolerance
802.11a	6-24Mbps	26dBm					±2dB
	36Mbps	25dBm					±2dB
	48Mbps	24dBm					±2dB
	54Mbps	22dBm					±2dB
	DataRate	TX Power	Tolerance		DataRate	TX Power	Tolerance
5Ghz 11n HT 20	MCS 0	24dBm	±2dB	5Ghz 11n HT 40	MCS 0	24dBm	±2dB
	MCS 1	24dBm	±2dB		MCS 1	24dBm	±2dB
	MCS 2	24dBm	±2dB		MCS 2	24dBm	±2dB
	MCS 3	24dBm	±2dB		MCS 3	24dBm	±2dB
	MCS 4	22dBm	±2dB		MCS 4	22dBm	±2dB
	MCS 5	20.5dBm	±2dB		MCS 5	20.5dBm	±2dB
	MCS 6	20.5dBm	±2dB		MCS 6	20.5dBm	±2dB
	MCS 7	17.5dBm	±2dB		MCS 7	17.5dBm	±2dB
	MCS 8	24dBm	±2dB		MCS 8	24dBm	±2dB
	MCS 9	24dBm	±2dB		MCS 9	24dBm	±2dB
	MCS 10	24dBm	±2dB		MCS 10	24dBm	±2dB
	MCS 11	24dBm	±2dB		MCS 11	24dBm	±2dB
	MCS 12	22dBm	±2dB		MCS 12	22dBm	±2dB
	MCS 13	20.5dBm	±2dB		MCS 13	20.5dBm	±2dB
	MCS 14	20.5dBm	±2dB		MCS 14	20.5dBm	±2dB
	MCS 15	17.5dBm	±2dB		MCS 15	17.5dBm	±2dB

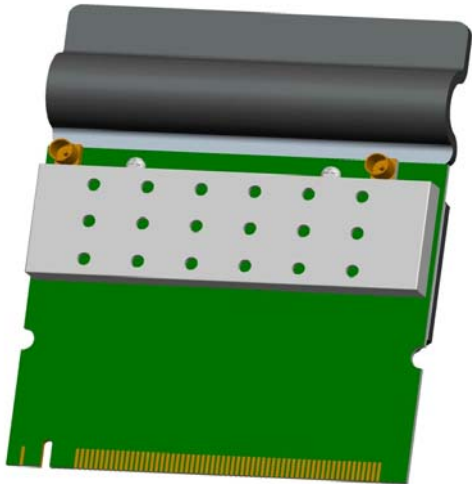
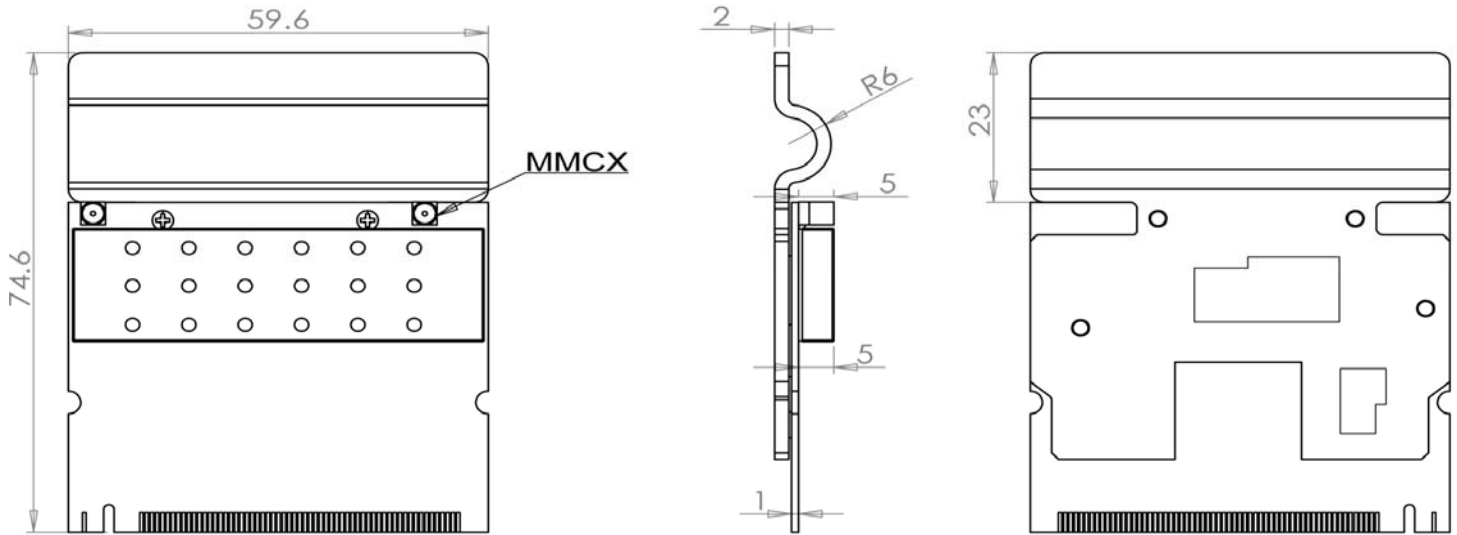
RX SPECIFICATIONS							
	Data Rate	Sensitivity (Maximum/Typical 2Rx)	Tolerance		Data Rate	Sensitivity (Maximum/Typical 2Rx)	Tolerance
802.11a	6M	-95/-91dBm	±2dB	802.11a	24M	-90/-86dBm	±2dB
	9M	-95/-91dBm	±2dB		36M	-87/-83dBm	±2dB
	12M	-95/-91dBm	±2dB		48M	-83/-79dBm	±2dB
	18M	-94/-90dBm	±2dB		54M	-82/-78dBm	±2dB
5Ghz 11n HT 20	MCS0	-95/-91dBm	±2dB	5Ghz 11n HT 40	MCS0	-91/-87dBm	±2dB
	MCS1	-94/-90dBm	±2dB		MCS1	-90/-86dBm	±2dB
	MCS2	-92/-88dBm	±2dB		MCS2	-88/-84dBm	±2dB
	MCS3	-88/-84dBm	±2dB		MCS3	-85/-81dBm	±2dB
	MCS4	-85/-81dBm	±2dB		MCS4	-82/-78dBm	±2dB
	MCS5	-81/-77dBm	±2dB		MCS5	-78/-74dBm	±2dB
	MCS6	-80/-76dBm	±2dB		MCS6	-77/-73dBm	±2dB
	MCS7	-77/-73dBm	±2dB		MCS7	-74/-70dBm	±2dB
	MCS8	-94/-90dBm	±2dB		MCS8	-91/-87dBm	±2dB
	MCS9	-92/-87dBm	±2dB		MCS9	-88/-84dBm	±2dB
	MCS10	-89/-85dBm	±2dB		MCS10	-86/-82dBm	±2dB
	MCS11	-86/-82dBm	±2dB		MCS11	-83/-79dBm	±2dB
	MCS12	-83/-79dBm	±2dB		MCS12	-80/-76dBm	±2dB
	MCS13	-78/-74dBm	±2dB		MCS13	-75/-71dBm	±2dB
	MCS14	-77/-73dBm	±2dB		MCS14	-73/-69dBm	±2dB
	MCS15	-74/-69dBm	±2dB		MCS15	-70/-66dBm	±2dB

ORDERING CONFIGURATIONS^①

CODES	SPEED	Carton Dimension
WLM200N5-26 6AA1100	Up to 300 Mbps physical data rates	For 50pcs (pcs/ctn), 0.40m * 0.22m * 0.085m / 0.006 = 1.5KG
WLM200N5-26 6AA1300	Up to 300 Mbps physical data rates	For 250pc (pcs/ctn), 0.45m * 0.45m * 0.24m / 0.006 = 8.1KG

① Configurations are subjected to change without notice

DIMENSIONS DRAWING



WLM FAMILY SERIES OF MINIPCI

b / g (2.4GHz)								a / b / g (2.4/5GHz)					
MODEL	WLM 54G-20dBm	WLM 54G-23dBm	WLM 54G-26dBm	WLM 54G-28dBm	WLM54G-30dBm	WLM200N2	WLM200N2-26dBm	WLM 54AG - 20dBm	WLM 54AG - 23dBm	WLM 54A - 26dBm	WLM200NX	WLM200N5-26	
CHIPSET	AR 2413/2414 (AR5005G/GS)	AR 2413/2414 (AR5005G/GS)	AR 2413/2414 (AR5005G/GS)	AR 2413/2414 (AR5005G/GS)	AR 2413/2414 (AR5005G/GS)	AR9223	AR9223	AR 5413/5414 (AR5006X/XS)	AR 5413/5414 (AR5006X/XS)	AR5414 (AR5006XS)	AR9220	AR9220	
SPEED	UP TO 54/108Mbps	UP TO 54/108Mbps	UP TO 54/108Mbps	UP TO 54/108Mbps	UP TO 54/108Mbps	UP TO 300Mbps physical data rates	UP TO 300Mbps physical data rates	UP TO 54/108Mbps	UP TO 54/108Mbps	UP TO 108Mbps	UP TO 300Mbps physical data rates	UP TO 300Mbps physical data rates	
OUTPUT POWER (Average)													
802.11a								20dBm@6-24Mbps	23dBm@6-24Mbps	26dBm@6-24Mbps	20dBm@6-24Mbps	26dBm@6-24Mbps	
								17dBm@36Mbps	21dBm@36Mbps	24dBm@36Mbps	17dBm@36Mbps	26dBm@36Mbps	
								16dBm@48Mbps	19dBm@48Mbps	22dBm@48Mbps	16dBm@48Mbps	25dBm@48Mbps	
802.11b	20dBm@1-11Mbps	23dBm@1-11Mbps	26dBm@1-11Mbps	28dBm@1-11Mbps	30dBm@1-11Mbps	20dBm@1-11Mbps	26dBm@1-11Mbps	20dBm@1-11Mbps	23dBm@1-11Mbps	-	20dBm@1-11Mbps	-	
	20dBm@6-24Mbps	23dBm@6-24Mbps	26dBm@6-24Mbps	28dBm@6-24Mbps	30dBm@6-24Mbps	20dBm@6-24Mbps	26dBm@6-24Mbps	20dBm@6-24Mbps	23dBm@6-24Mbps	-	20dBm@6-24Mbps	-	
	19dBm@36Mbps	22dBm@36Mbps	25dBm@36Mbps	26dBm@36Mbps	28dBm@36Mbps	19.5dBm@36Mbps	26dBm@36Mbps	18dBm@36Mbps	21dBm@36Mbps	-	18dBm@36Mbps	-	
802.11g	17dBm@48Mbps	19dBm@48Mbps	24dBm@48Mbps	25dBm@48Mbps	27dBm@48Mbps	18.5dBm@48Mbps	22dBm@48Mbps	17dBm@48Mbps	19dBm@48Mbps	-	17dBm@48Mbps	-	
	16dBm@54Mbps	17dBm@54Mbps	22dBm@54Mbps	23dBm@54Mbps	25dBm@54Mbps	17dBm@54Mbps	21dBm@54Mbps	15dBm@54Mbps	17dBm@54Mbps	-	15dBm@54Mbps	-	
Interface	PCI Interface v2.3 (Type III-B Mini PCI Form Factor)					PCI Interface v2.3 (Type III-A Mini PCI Form Factor)		PCI Interface v2.3 (Type III-B Mini PCI Form Factor)			PCI Interface v2.3 (Type III/A Mini PCI Form Factor)		
Receiver Sensitivity	802.11g -94dBm @ 6Mbps < -73dBm @ 54Mbps		802.11g -96dBm @ 6Mbps < -83dBm @ 54Mbps			802.11g -96dBm @ 6Mbps < -83dBm @ 54Mbps		802.11g -94dBm @ 6Mbps < -73dBm @ 54Mbps		802.11b -94dBm @ 6Mbps -91dBm @ 11Mbps		Refer to datasheet	Refer to datasheet
Operating Channels	IEEE 802.11g: 11 Channel (US & Canada) 13 Channel (Europe) 14 Channel (Japan)						IEEE 802.11a: 13 Channel (US & Canada) 19 Channel (Europe) 10 Channel (Japan)						
Input Power	3.3V DC												
Operating Temperature	-20°C to 70°C												

Compex Systems Pte Ltd

135 Joo Seng Road, PM Industrial Building #08-01, Singapore 368363
Tel: (65) 6286 2086
Fax: (65) 6280-9947
Email: sales@compex.com.sg

Compex (Changshu) Co. Ltd

Block 8, Haicheng Industrial Square Changshu Economic Development Zone, Jiangsu Province, China 215513
Tel: (86)-512-52297891
Fax: (86)-512-52698858

Compex (Suzhou) Co. Ltd

No. 12, ChuangTou Industrial Square, LouFeng North, Suzhou Industrial Park, Suzhou, Jiangsu Province, China 215122
Tel: (86)-512-62950031
Fax: (86)-512-62950032



Copyright © 2008 Compex Systems. All rights reserved. COMPEX and the COMPEX logo, are registered trademarks of COMPEX Inc. Atheros and other trademarks are properties of their respective owners. While every effort is made to ensure the information accurate, Compex does not accept liability for any errors or mistakes that may arise. Specification is subject to change without notice. DS V:2.2.0 GH 091105

For more information, visit www.compex.com.sg