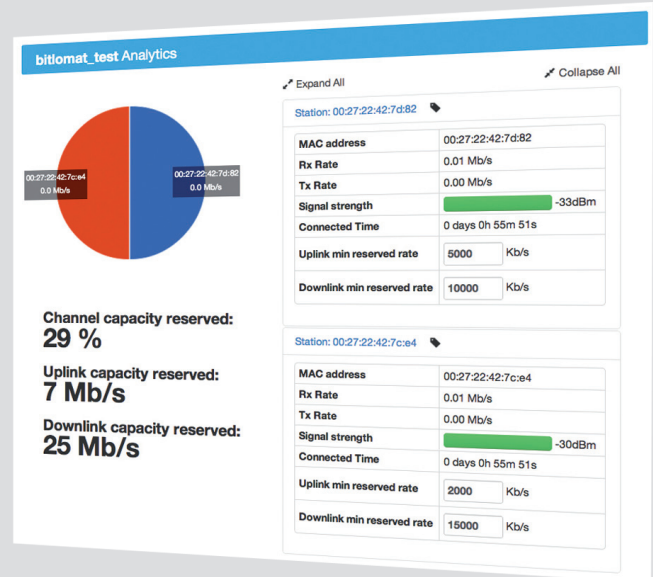


the easy, low cost
alternative for wisp



Advantages

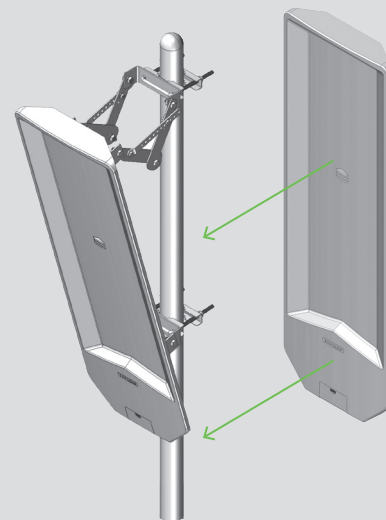
- High performance point-to-multipoint TDMA protocol
- Advanced QoS and SLA enforcement with guaranteed throughput provisioning per CPE
- Easy to use Web-based GUI
- VLAN, BGP, OSPF and Multi-SSID native support
- Software Open Extendable Platform through command line interface
- Future-proof support for beam-forming technology
- Premium customer support for network design and troubleshooting
- Built-in email notifications



100 Panel CPE

Advantages

- High Gain Embedded Panel Antenna with 16.5 dBi
- 30 degrees antenna beamwidth for interference mitigation
- Rugged outdoor-rated design
- Shielded Hardware for spurious emission elimination



200 Base Station

Advantages

- Integrated high gain 20.5 dBi sector antenna
- 90 degrees antenna beamwidth
- Metal back-plate with metal flap for co-location interference mitigation
- Disruptive price point
- Quick installation with no need to connect the antenna with coax cables

Bitlomat, LLC - 1850 Second St., Suite 201 Highland Park, IL 60035 (USA) Ph: +1 (847) 291-1843 www.bitlomat.com info@bitlomat.com

Copyright (c) 2013 Bitlomat, LLC. All rights reserved. Bitlomat is a trademark of Bitlomat, LLC. All other brand or product names are trademarks or registered trademarks of their respective holder(s). Information contained herein is subject to change without notice. The only warranties for Bitlomat products and services are set forth in the express warranty statements accompanying such products and services. Nothing herein should be construed as constituting an additional warranty. Bitlomat shall not be liable for technical or editorial errors or omissions contained herein.

Antenna

		BTLM 100	BTLM 200
Configuration		2T2R	2T2R
Frequency (MHz)		4950 ~ 5825	4950 ~ 5825
Radiation		Directional	Sectorial
Polarization		Dual Linear	Dual Linear
Gain (dBi)		16.5	20.5
VSWR	Hport	2.0 : 1	< 1.8
	Vport	2.0 : 1	< 1.8
Beamwidth (HPBW Horizontal)	Hport	32°	90°
	Vport	33°	90°
Beamwidth (HPBW Vertical)	Hport	22°	4.5°
	Vport	24°	4.5°
Impedance (Ohms)		50	50
Isolation (dB)		-22	40
Front-to-Back Ratio (dB)		21	>50
Cross-pol Isolation		22 dB minimum	30 dB minimum

Physical 100

	100	200
Dimensions	L280mm, W114mm, H68mm	L882mm, W291mm, H76mm
Weight	450 gram	5700 gram (5.7kg)

Regulatory/Compliance

Wireless Approvals	FCC Part 15.247, IC RS210, CE
ROHS	YES

System

Chipset	CPU	Atheros AR7241, MIPS 24Kc, 400MHz Network Processor
	RF	Atheros AR9280
Memory		32/64MB DDRAM
Flash		8MB
Interface	Ethernet	2 X 10/100 Base-TX RJ-45 Port (Auto MDI/ MDIX)
	Reset / WPS*	1 X Reset Button for factory default
LED	LED1	1 X Power
	LED2	1 X WAN
	LED3	1 X LAN
	LED4~LED7	4 X RSSI

Electrical

Power Method		12~24V Passive Power over Ethernet (pairs 4, 5+; 7, 8 return)
Power Supply (included)		24V / 0.5 POE
Max Power Consumption	Chariot TX	8 Watts
	Chariot RX	5 Watts
ESD Protection		15kV ESD
Surge Protection		4kV Lightning Protection

5Ghz Power Specs

Output power	DataRate	Avg.TX (dBm)	Avg.RX (dBm)	Tolerance (dB)
11a	6 - 24Mbps	27	-94	±2
	36Mbps	25	-80	±2
	48Mbps	23	-77	±2
	54Mbps	22	-75	±2
	11n MCS0	27	-96	±2
	MCS1	27	-95	±2
	MCS2	27	-92	±2
	MCS3	27	-90	±2
	MCS4	26	-86	±2
	MCS5	24	-83	±2
	MCS6	22	-77	±2
	MCS7	21	-74	±2
	MCS8	27	-95	±2
	MCS9	27	-93	±2
	MCS10	27	-90	±2
	MCS11	27	-87	±2
	MCS12	26	-84	±2
	MCS13	24	-79	±2
	MCS14	22	-78	±2
	MCS15	21	-75	±2

Radio

Standards		IEEE 802.11a/n
Operating Frequency	NA	5150 ~ 5350MHz / 5725 ~ 5850MHz
	EU	5150 ~ 5350MHz / 5470 ~ 5725MHz
	Japan	5150 ~ 5250MHz
Data Rate	802.11a	6/9/12/18/24/36/48/54 Mbps
	802.11n	30/60/90/120/180/240/270/300 Mbps
Modulation	802.11a	OFDM (BPSK, QPSK, 16QAM, 64QAM)
	802.11n	OFDM (BPSK, QPSK, 16QAM, 64QAM)
Channel Width		5/10/20/40 MHz
Output Power (dBm)		27

Environmental

IP Rating		IP55
Enclosure Characteristic		Outdoor UV Stabilized Plastic
Mounting		Pole Mounting Kit included
Temperature	Operating	-50°C to 75°C
	Storage	-30°C to 80°C
Operating Humidity		5% to 95% non-condensing
Shock and Vibration		ETSI300-019-1.4