

Symmetrical Horn Antenna

SH-TP 5-80

SYMMETRICAL HORN ANTENNA WITH TWISTPORT CONNECTOR AND CARRIER CLASS PERFORMANCE

Symmetrical Horn Antennas offer excellent noise rejection and supreme scalability options. They have a symmetrical beam pattern, no sidelobes, and are extremely compact. SH-TP antennas are perfect for high-density AP clusters and radio co-location.

Symmetrical Horn TP Antennas feature our industry-changing TwistPort™ connector, a patent-pending quick-locking waveguide port. TwistPort™ is virtually lossless: there are no coaxial RF connectors or RF cables that cause significant signal loss. We offer a wide range of TwistPort™ Adaptors which allow you to connect the most popular 3rd party connectorized radios.



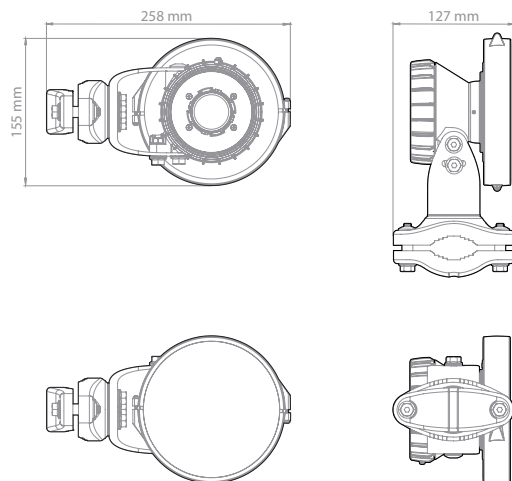
TECHNICAL DATA

| | |
|------------------------|--|
| Antenna Connection | TwistPort™ - Quick Locking Waveguide Port |
| Antenna Type | Horn |
| Materials | UV Resistant ABS Plastic, Polycarbonate, Polypropylene, Aluminium, Stainless Steel |
| Environmental | IP55 |
| Pole Mounting Diameter | 15-86 mm |
| Temperature | -30°C to +55°C (-22°F to +131°F) |
| Wind Survival | 160 km/hour |
| Mechanical Tilt | ± 25° |
| Weight | 1.7 Kg / 3.7 lbs – single unit 1.9 Kg / 4.2 lbs – single unit incl. package 20.4 Kg / 45 lbs – carton (10 units) |
| Single Unit | Retail Box: 29.5 × 17 × 19 cm |
| 10 Units | Carton Box: 88 × 33 × 40 cm |

PERFORMANCE

| | |
|----------------------------|-----------------|
| Frequency Range | 5180 - 6400 MHz |
| Gain | 10.4 dBi |
| Azimuth Beam Width -3 dB | H 60° / V 60° |
| Elevation Beam Width -3 dB | H 60° / V 60° |
| Azimuth Beam Width -6 dB | H 81° / V 81° |
| Elevation Beam Width -6 dB | H 81° / V 81° |
| Front-to-Back Ratio | 29 dB |

PRODUCT DIMENSIONS

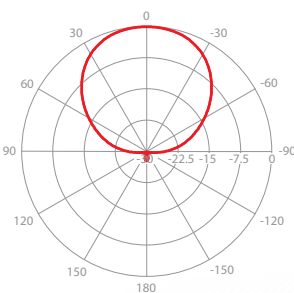


AZIMUTH PATTERN



V/H - Port Pattern Azimuth 5.6 GHz

ELEVATION PATTERN



V/H - Port Pattern Elevation 5.6 GHz

GAIN

