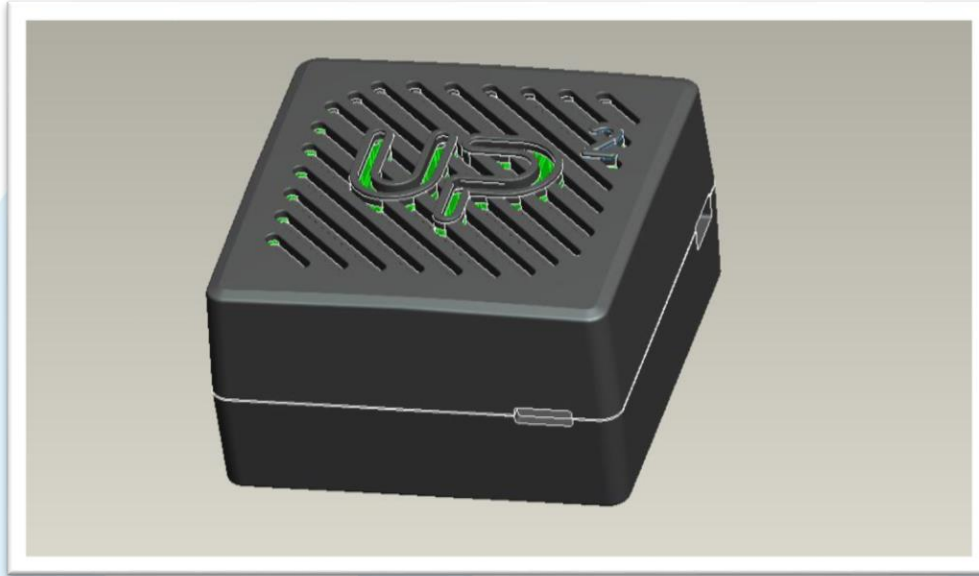


Quick start guide UP² (Squared) Chassis



Parts List

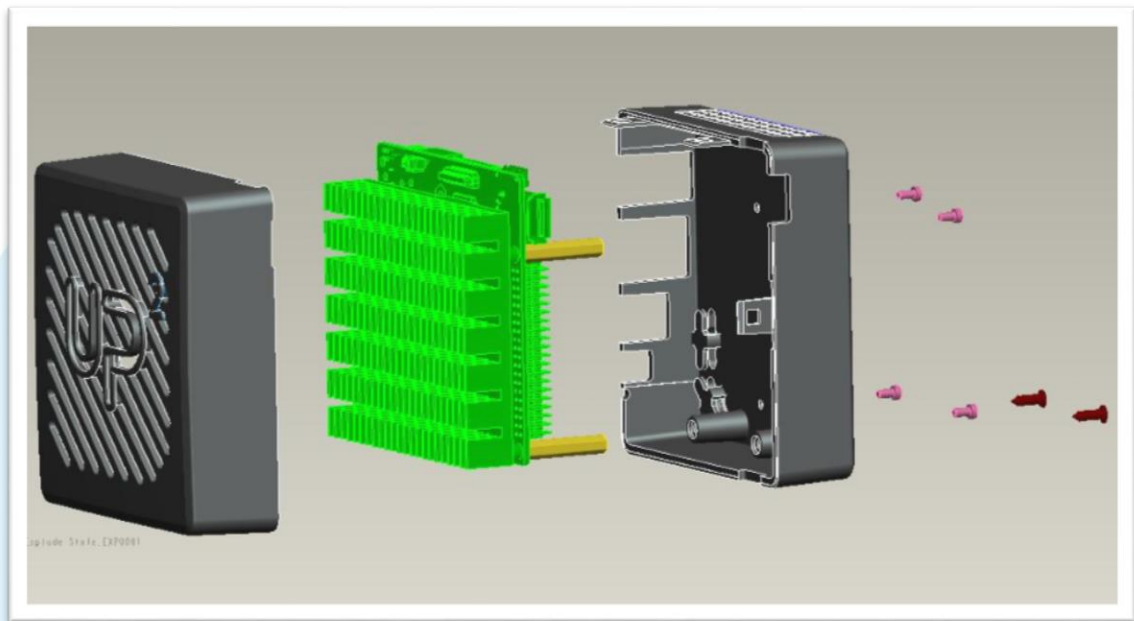
- One top cover with UP square logo.
- One base case.
- Four (4) M2.5-25.8 Hex Stand-off.
- Four (4) 2.5-5 Sheet Metal machine screws.
- Two (2) 2.3-10 Sheet Metal Tapping screws.
- Two (2) Vesa screws.

Not included with the kit, you may need to prepare:

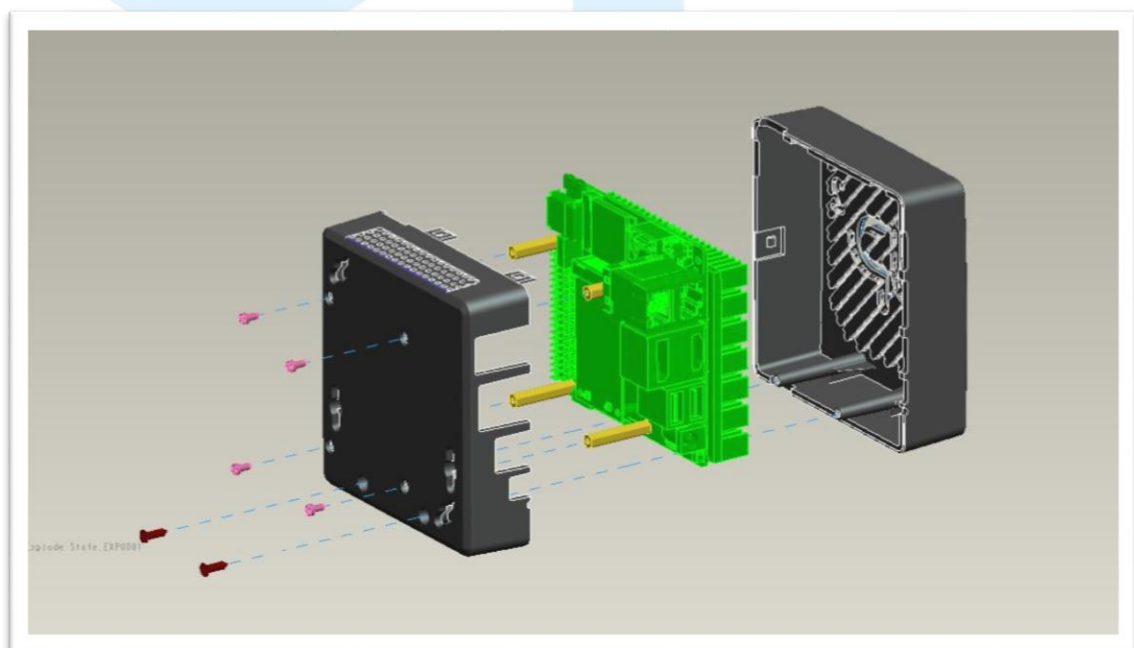
- UP square board.
- Small screwdriver.

Assembly steps

1. Start with screw the 4 Hex Stand-off on the board.
2. Place the board into the base case, check well with the 4 sides exactly that match the IO sides.
3. Take machine screws, and holding the bottom base with board in place, feed the screws from the bottom, through the screw holes, wiggling them a little bit to get them to line up.
4. Click the top cover with base bottom with board.
5. Final step is screw the remaining Metal tapping screws.
6. Make sure they are finger tight, so they won't come undone during use.



Exploded view on the chassis, including Hex stand-offs



Screw locations (VESA Screws in Red, bottom left) from the bottom view

As always, go check out up-community.org
for support and more information about your UP board