



6-060 Wire Catch



Advantages

- Wire catches can be fitted onto pre-punched channels / profiles.
- Improves handling of power, network and fiber optic cables in the cabinet.
- Seismic-proof according to GR-63-CORE, Issue 4.
- Tool-less installation.
- Easy installation in a suitable square hole by turning 45°.
- The jamming of the bow parts in the range of the opening when the cable support is filled.
- For sheet-thickness 1.3 mm to 2.0 mm.

Materials

- **Wire catch:** PA, black

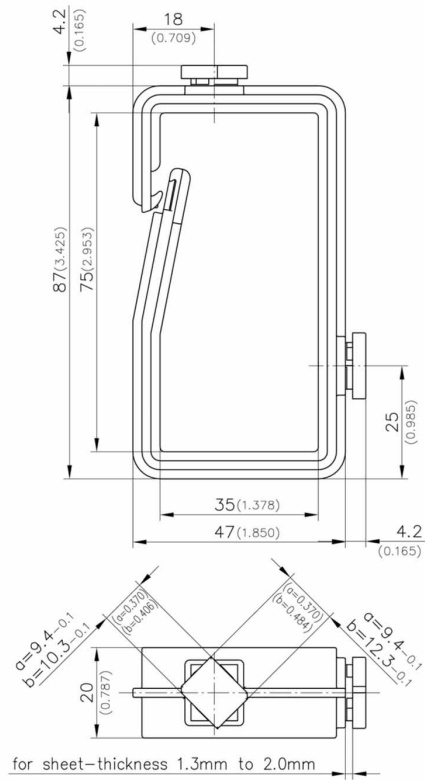
Remarks

Assembly: enter the wire catch in an angle of about 45° into the cutout and turn 45° clockwise. At this end position the special shape makes the wire catch fixed in the cutout.

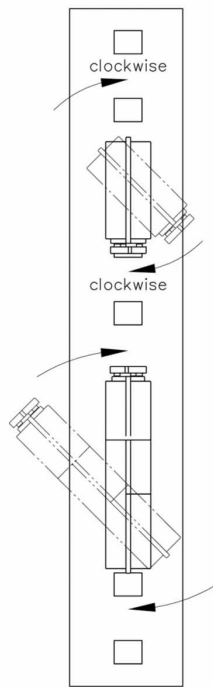


Wire Catch

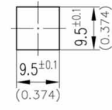
	Part Number	Cutout	Installation type
a)	214-0106.50-00013	□9.5	tool-less
b)	214-0105.50-00013	12.5x10.5	tool-less



Example of application



Cutout a)



Cutout b)

