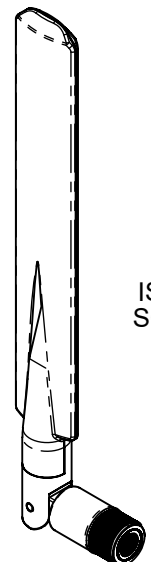
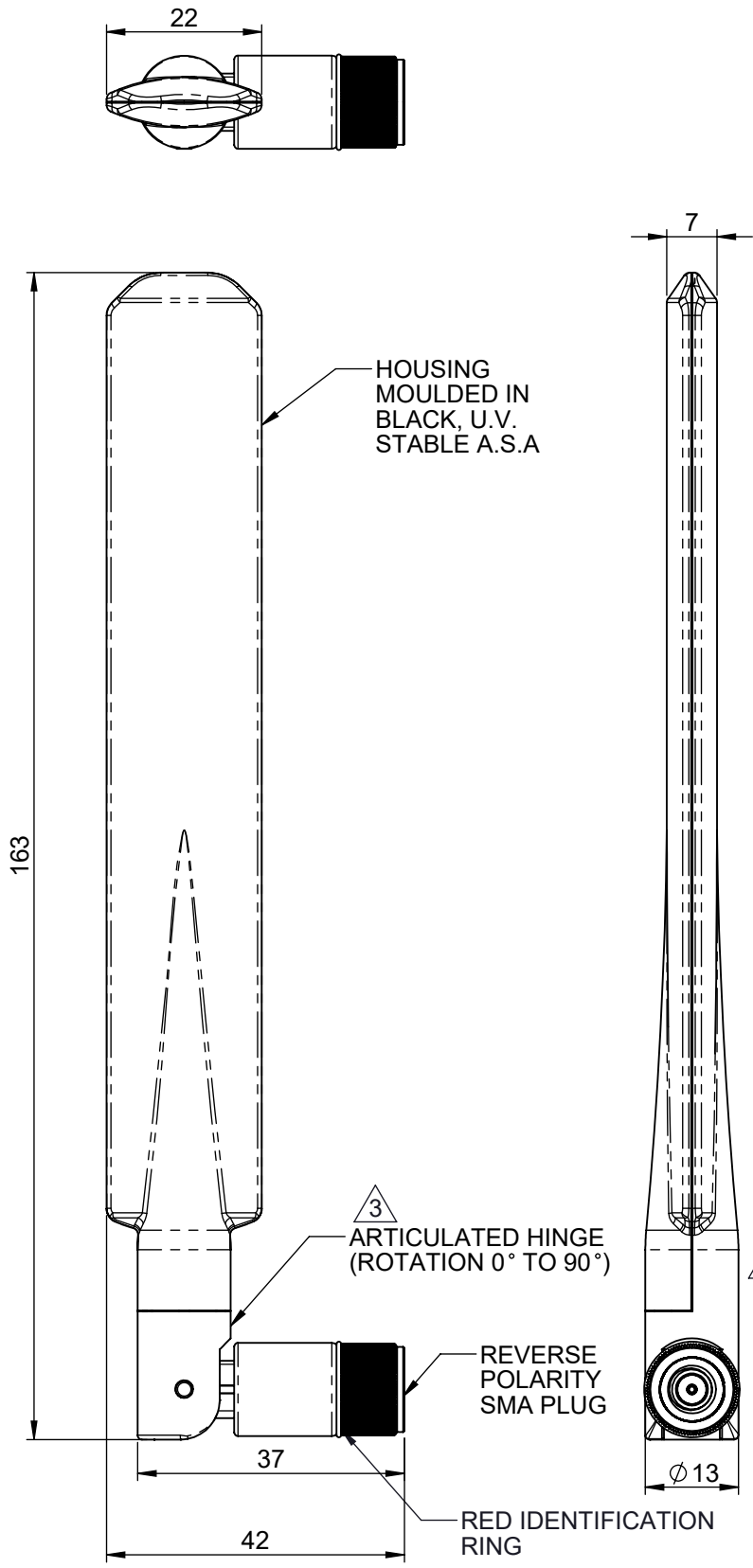


| TOLERANCES UNLESS OTHERWISE STATED | | | |
|------------------------------------|------|---------------|------|
| 0 DEC. PLACE | ±0.5 | 2 DEC. PLACES | ±0.1 |
| 1 DEC. PLACE | ±0.2 | ANGULAR | ±1° |

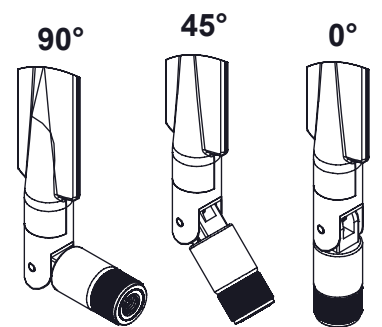
OPERATING FREQUENCIES:
 2400-2485 MHz
 4900-6000 MHz

NOTES:

1. SAMPLES MUST BE APPROVED BY PANORAMA ANTENNAS Q.C. BEFORE COMMENCING PRODUCTION.
2. ALL MATERIALS SUPPLIED MUST BE RoHS2 (DIRECTIVE 2011/65/EU) COMPLIANT AND MUST NOT CONTAIN ANY SUBSTANCES OF VERY HIGH CONCERN (SVHCs) LISTED UNDER REACH OR POLY-AROMATIC HYDROCARBONS (PAHs), OR PERSISTENT ORGANIC POLLUTANTS (POPs) CONTROLLED BY THE STOCKHOLM CONVENTION.



ARTICULATED HINGE - SET/FIXED POSITIONS



| | | | | | | | |
|---|-------|------|---------------------------|------------|-----|---------------------------------------|---|
| F | 01019 | A | INITIAL ISSUE | 29/06/2016 | PE | PRODUCT/ASSEMBLY TERMINAL ANTENNAS | DESCRIPTION 2.4/5.8GHZ TRM ANT RA SMA REV POL |
| | 01019 | 1 | PRODUCTION ISSUE | 17/08/2016 | PE | MATERIAL N/A | |
| | 01019 | 2 | RED ID RING ADDED | 25/04/2017 | PE | FINISH N/A | APPROVED KD D.O.CHECK MM SCALE 1:1 DIMENSIONS IN mm |
| | 01019 | 3 | HINGE INTEGRATED TO COVER | 10/07/2018 | PE | | PANORAMA ANTENNAS |
| | PCN | REV. | DESCRIPTION | DATE | DRN | WEIGHT 21.24g | SHEET 1 OF 1 |