

Twin Horn Bracket

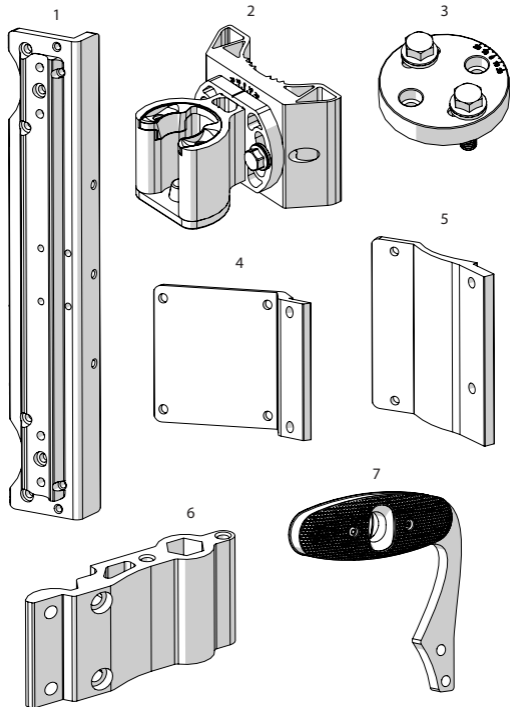
Product ID: THB



Twin Horn Bracket

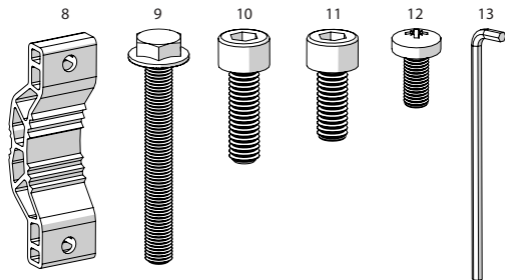
2

Package Contents



Twin Horn Bracket

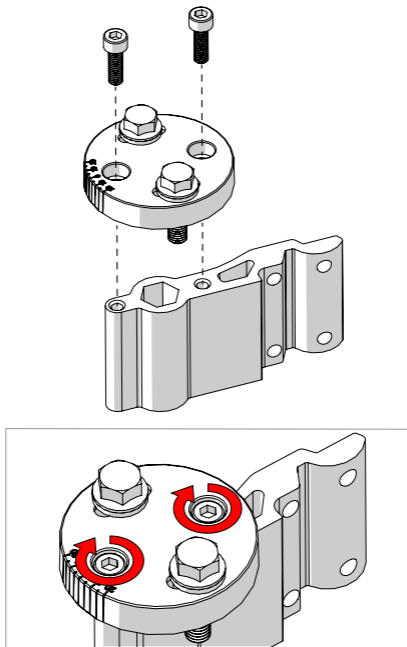
Package Contents



Number	Description	Quantity
1	Body THB	1x
2	Bracket Base UBR	1x
3	Bracket Ring UBR	1x
4	e3K Bracket	1x
5	A5c Bracket	1x
6	Bracket Arm	1x
7	Handle	1x
8	Pole Mount Bracket	1x
9	M8x80mm DIN 6921 Screw	2x
10	M6x20mm DIN 912 Screw	2x
11	M6x16mm DIN 912 Screw	8x
12	M5x12mm DIN 7985 Screw	4x
13	Hex key 5x16x200mm	1x

Twin Horn Bracket

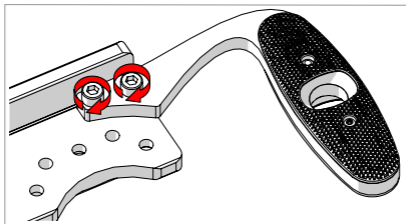
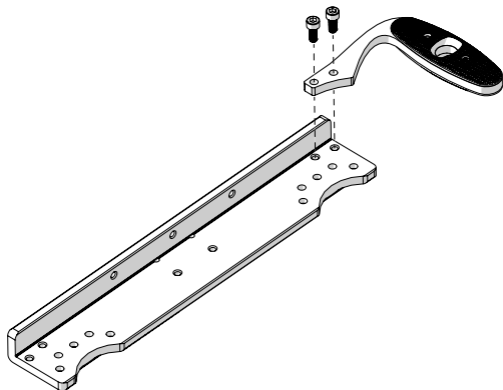
Installation - Use M6 x 20mm screws (part no. 10)



Twin Horn Bracket

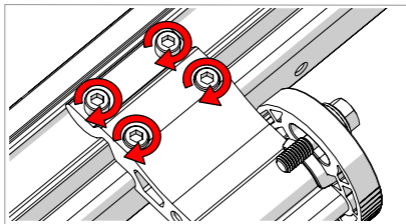
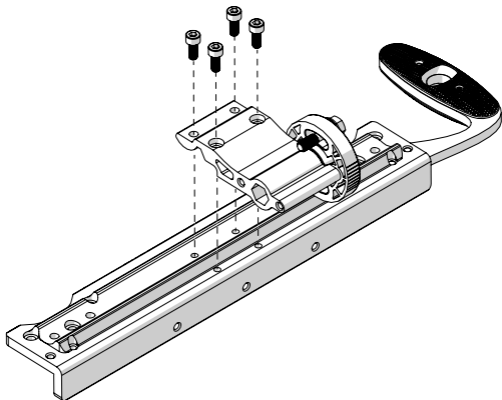
5

Installation - Use M6 x 16mm screws (part no. 11)



Twin Horn Bracket

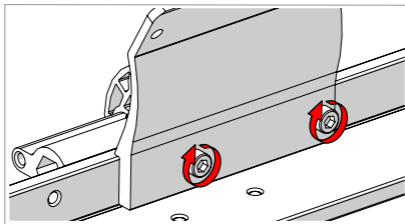
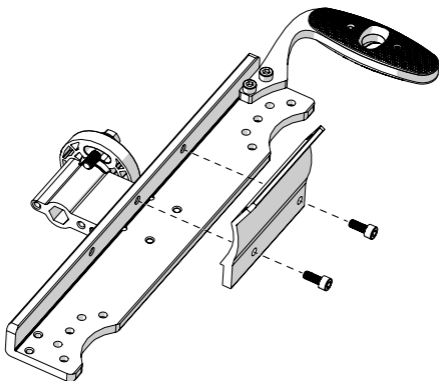
Installation - Use M6 x 16mm screws (part no. 11)



Twin Horn Bracket

Installation - Use M6 x 16mm screws (part no. 11)

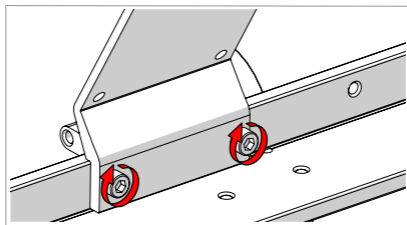
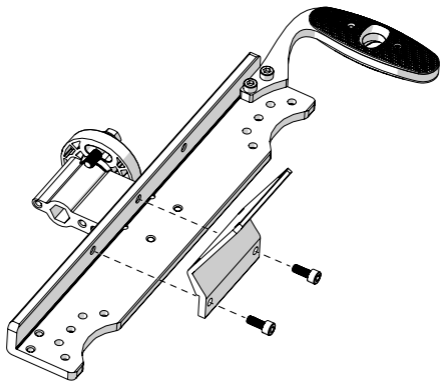
Valid when mounting bracket (part no. 5) for Mimosa A5c



Twin Horn Bracket

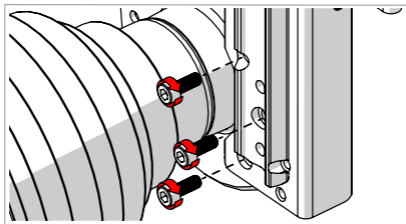
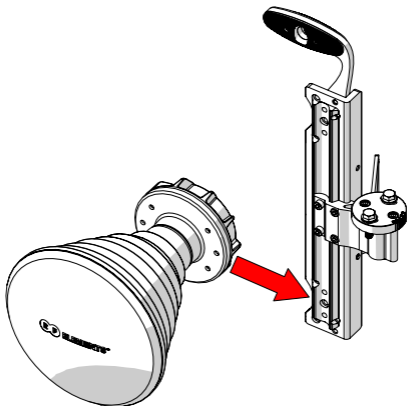
Installation - Use M6 x 16mm screws (part no. 11)

Valid when mounting bracket (part no. 4) for Cambium ePMP 3000



Twin Horn Bracket

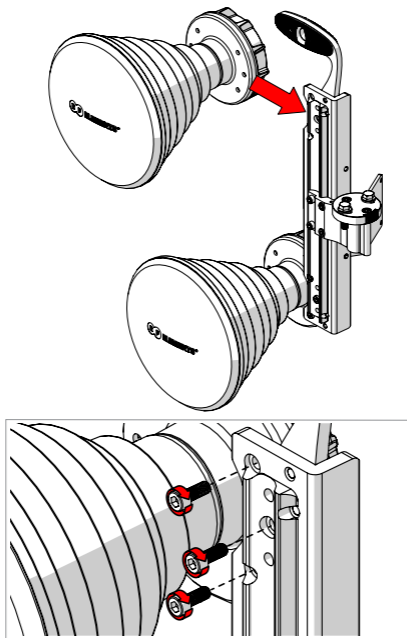
Antenna Installation - Use M6 x 15 mm screws (part of antenna package)



Model HG3-TP-S30 shown. Installation instructions are identical for all Symmetrical Horn models. Antenna dimensions may differ.

Twin Horn Bracket

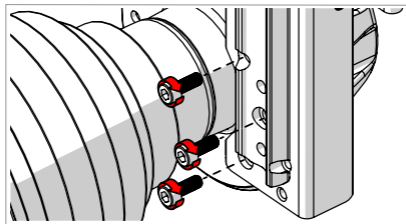
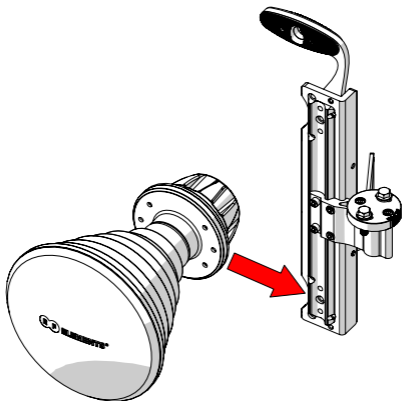
Antenna Installation - Use M6 x 15 mm screws (part of antenna package)



Model HG3-TP-S30 shown. Installation instructions are identical for all Symmetrical Horn models. Antenna dimensions may differ.

Twin Horn Bracket

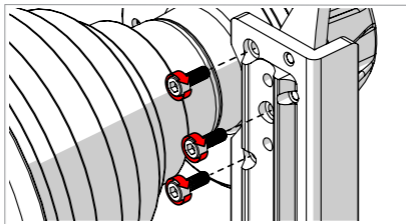
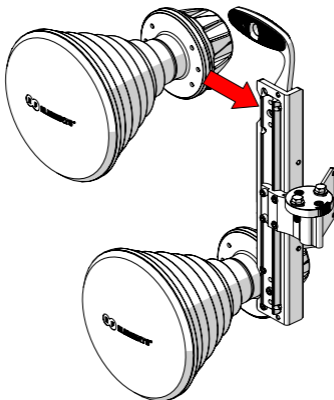
Antenna Installation - Use M6 x 15 mm screws (part of antenna package)



Model HG3-CC-S30 shown. Installation instructions are identical for all Symmetrical Horn models. Antenna dimensions may differ.

Twin Horn Bracket

Antenna Installation - Use M6 x 15 mm screws (part of antenna package)

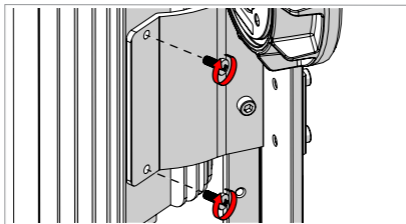
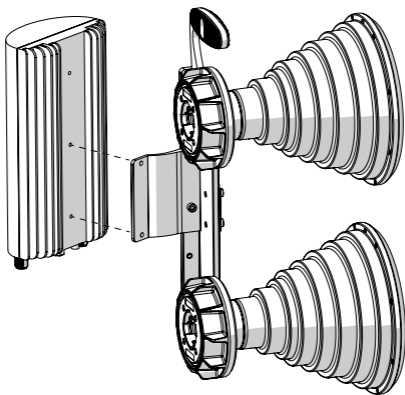


Model HG3-CC-S30 shown. Installation instructions are identical for all Symmetrical Horn models. Antenna dimensions may differ.

Twin Horn Bracket

Radio Installation - Use M5 x 12mm screws (part no. 12)

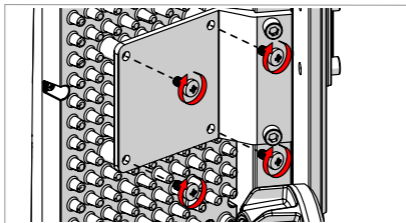
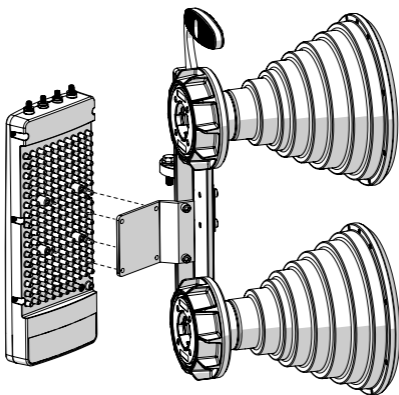
Valid when mounting Mimosa A5c



Twin Horn Bracket

Radio Installation - Use M5 x 12mm screws (part no. 12)

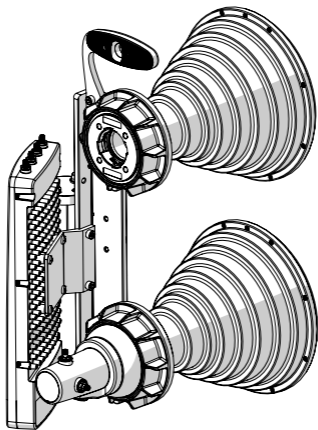
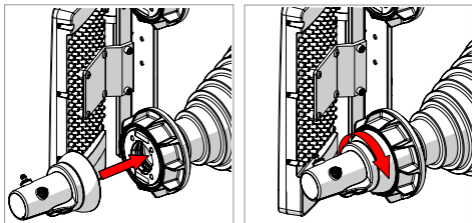
Valid when mounting Cambium ePMP 3000



Twin Horn Bracket

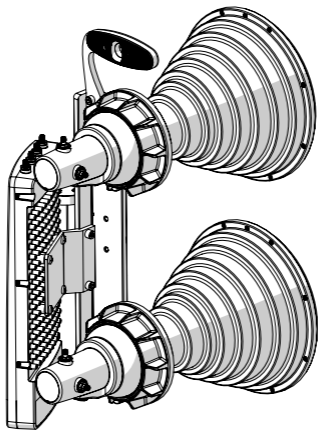
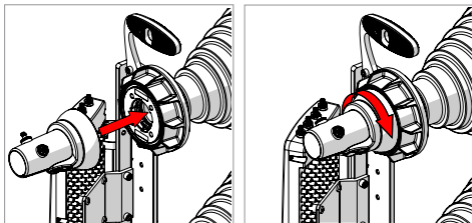
15

Installation



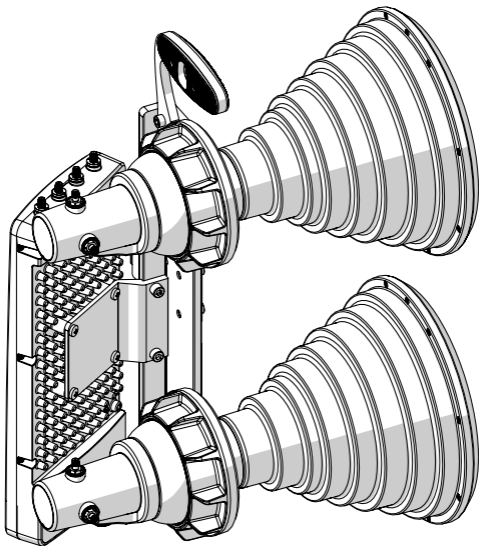
Twin Horn Bracket

Installation



Twin Horn Bracket

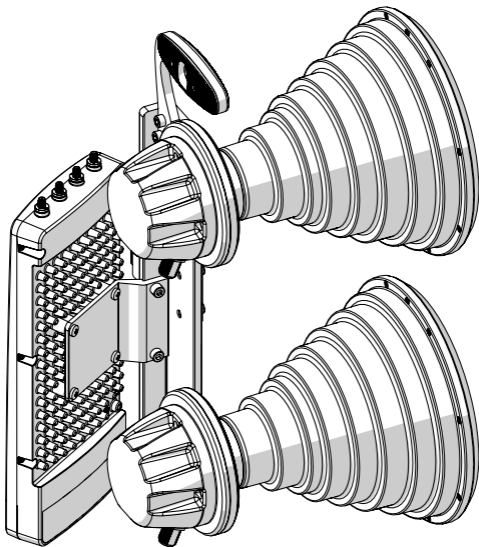
Installation - Recommended length of cables is 800 mm for both radio types.



Model HG3-TP-S30 shown. Installation instructions are identical for all Symmetrical Horn models. Antenna dimensions may differ.

Twin Horn Bracket

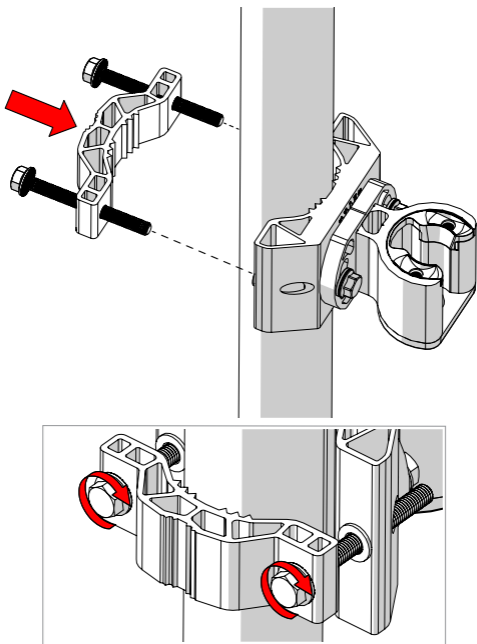
Installation - Recommended length of cables is 800 mm for both radio types.



Model HG3-CC-S30 shown. Installation instructions are identical for all Symmetrical Horn models. Antenna dimensions may differ.

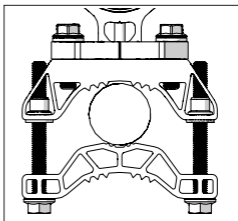
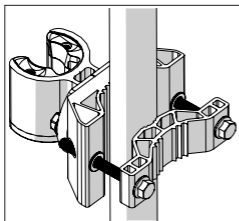
Twin Horn Bracket

Pole Installation

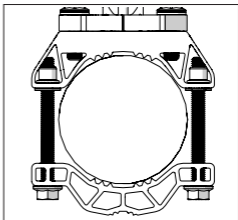
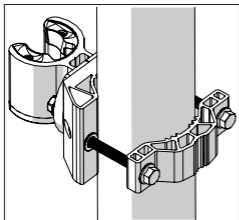


Pole Installation

Place the Bracket like this for pole diameter of 40 - 57mm



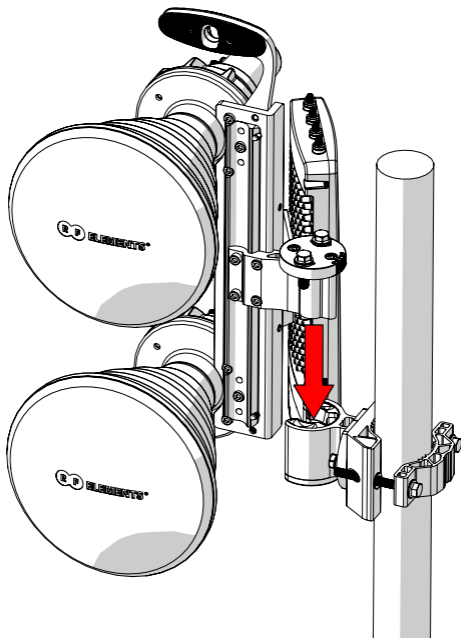
Place the Bracket like this for pole diameter of 58 - 80mm



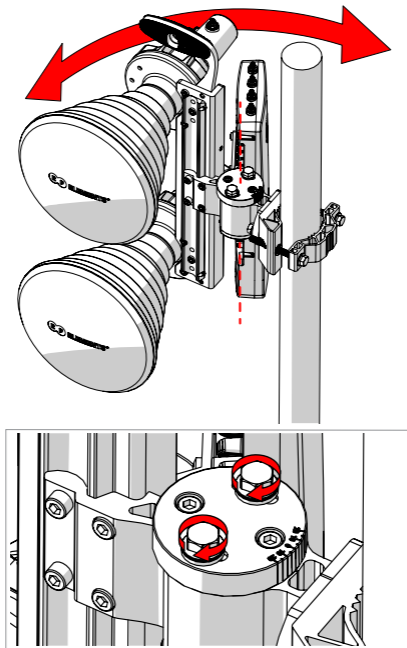
Twin Horn Bracket

21

Pole Installation

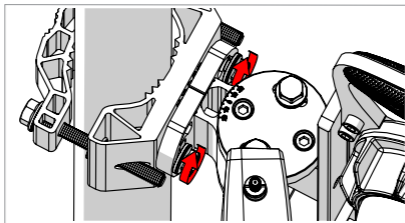
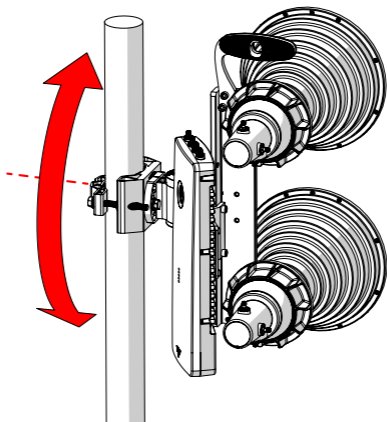


Pole Installation



Twin Horn Bracket

Pole Installation



Compatible Antennas:

RF elements s.r.o.

any Symmetrical Horn TP Antennas Gen2,
any Symmetrical Horn CC Antennas Gen2

Compatible Devices:

Mimosa A5c, Cambium ePMP 3000

RF elements® is trademark of
RF elements s.r.o., Slovakia.
All rights of trademark owners reserved.



RF elements s.r.o.
Phone +421 2 7333 7733
info@rfelements.com
www.rfelements.com