

DIN Rail Mounting Enclosures for
Embedded Systems
(Manufactured by Italtronic SRI. Padova, Italy)



P/N - 10.0052450.RP4

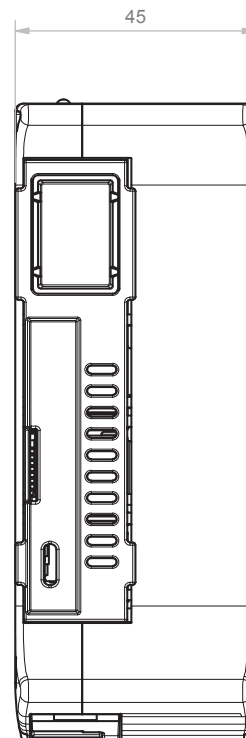
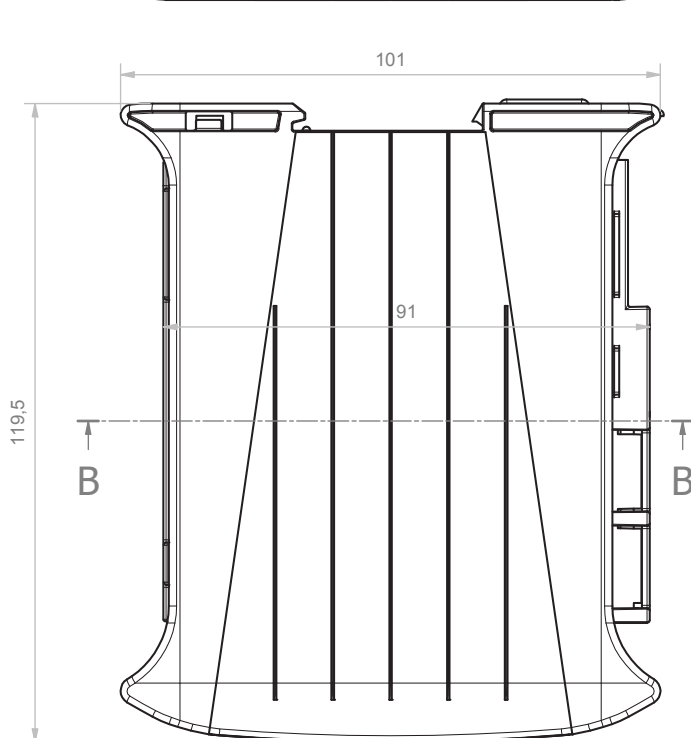
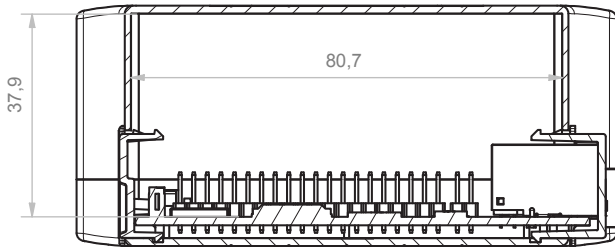
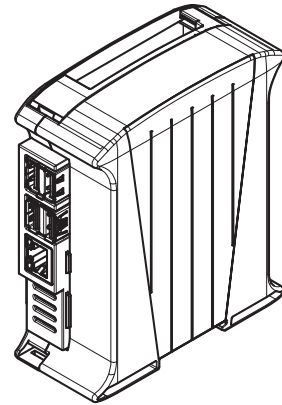
Raspberry Pi DIN Rail Enclosure. Vertical (45mm width). Space for additional PCB

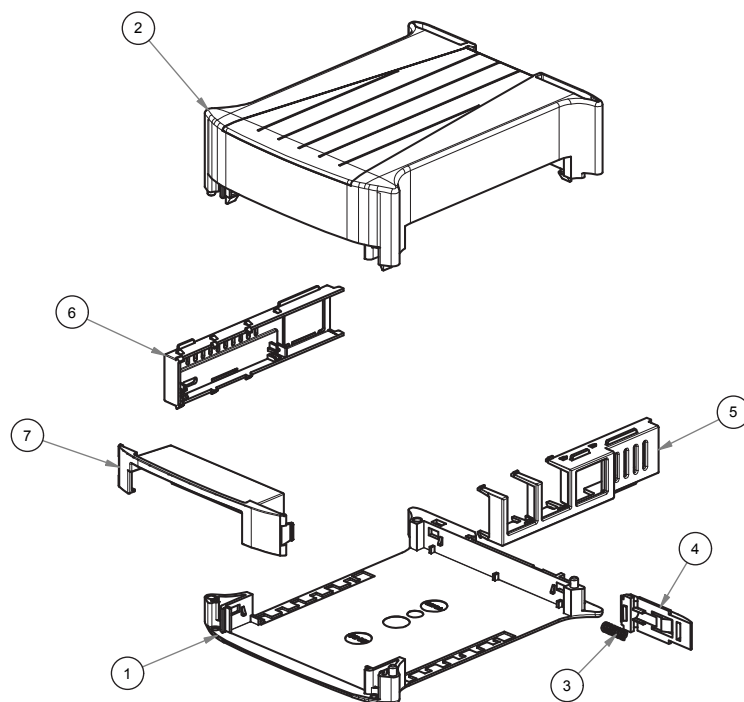
KIT Supplied includes:

Base, Cover, Hook, Spring, Lateral Accessories, Front Panel



B-B (1:1)





RIF.	Q.TY	DESCRIPTION	DRAWING
1	1	BASE RAILBOX 12.5 MM 3L	2_110_00033
2	1	COVER RAILBOX PLUG&FIX 32.5 MM	2_110_00038
3	1	SPRING FOR HOOK RAILBOX	2_110_00011
4	1	HOOK RAILBOX	2_110_00032
5	1	ACCESSORY LEFT FOR RAILBOX RASPBERRY PI 4	2_110_00035
6	1	ACCESSORY RIGHT FOR RAILBOX RASPBERRY PI 4	2_110_00036
7	1	FRONT PANEL FOR RAILBOX RASPBERRY PI 4	2_110_00037