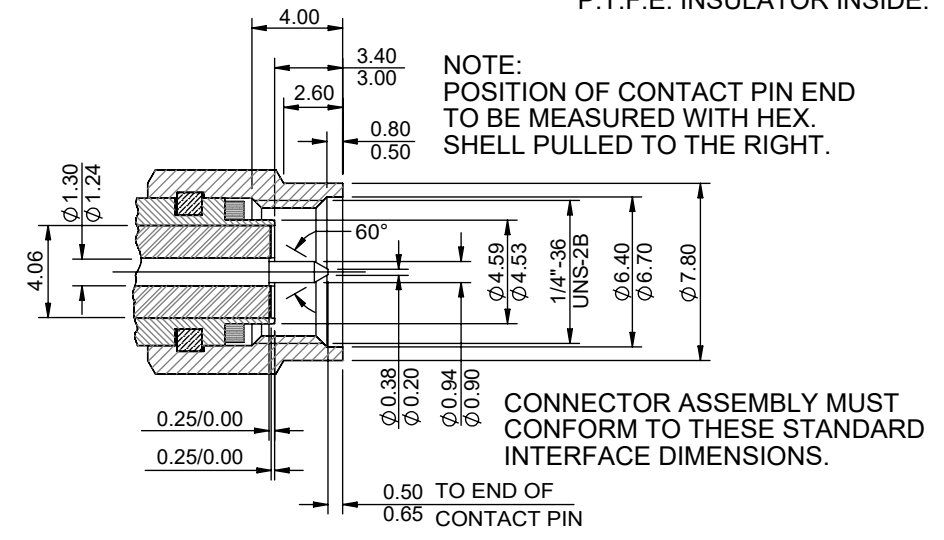
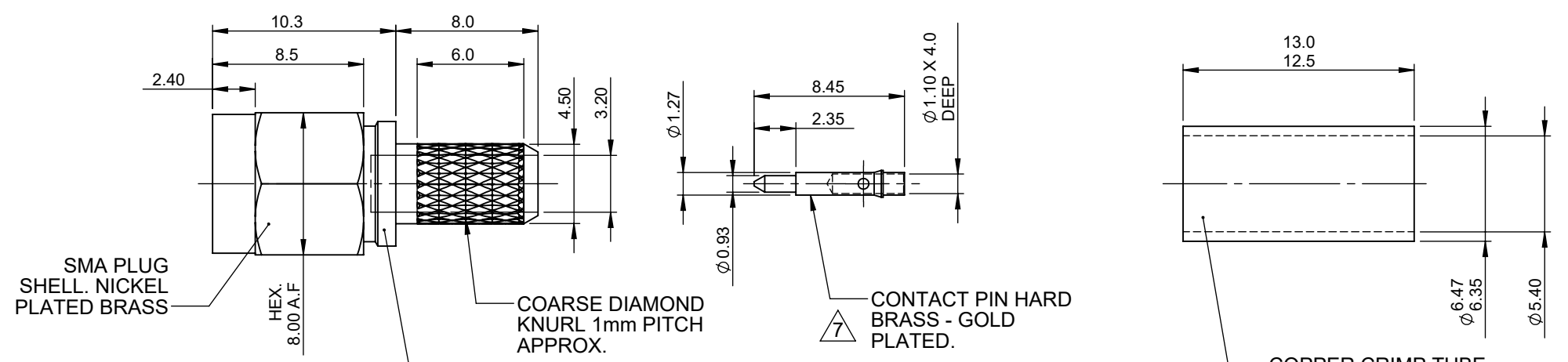
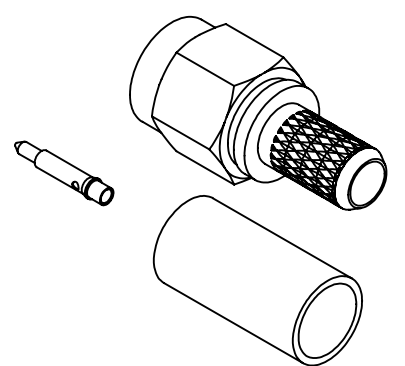


TOLERANCES UNLESS OTHERWISE STATED

0 DEC. PLACE	±0.5	2 DEC. PLACES	±0.1
1 DEC. PLACE	±0.2	ANGULAR	±1°



ISO VIEWS
SCALE 2:1



- NOTES:
- ALL MATERIALS USED MUST BE RoHS COMPLIANT.
 - SAMPLES MUST BE APPROVED BY PANORAMA ANTENNAS Q.C. BEFORE COMMENCING PRODUCTION.

01019	7	6	REDRAWN IN 2D AND 3D. NO CHANGE TO PART. NOTE ADDED PIN MATL CHANGED	27/05/2011	PE
PCN	2D ISSUE	3D VERSION	DESCRIPTION OF CHANGE	DATE	DRAWN
REVISIONS					

PRODUCT/ASSEMBLY CONNECTORS		DESCRIPTION SMA STRAIGHT CRIMP PLUG FOR RG58 COAX CABLE			
MATERIAL SEE DRAWING		APPROVED JJ	DO.CHECK ATB	SCALE 3:1	DIMENSIONS IN mm
FINISH SEE DRAWING		PANORAMA ANTENNAS			
WEIGHT N/A	SHEET 1 OF 1				