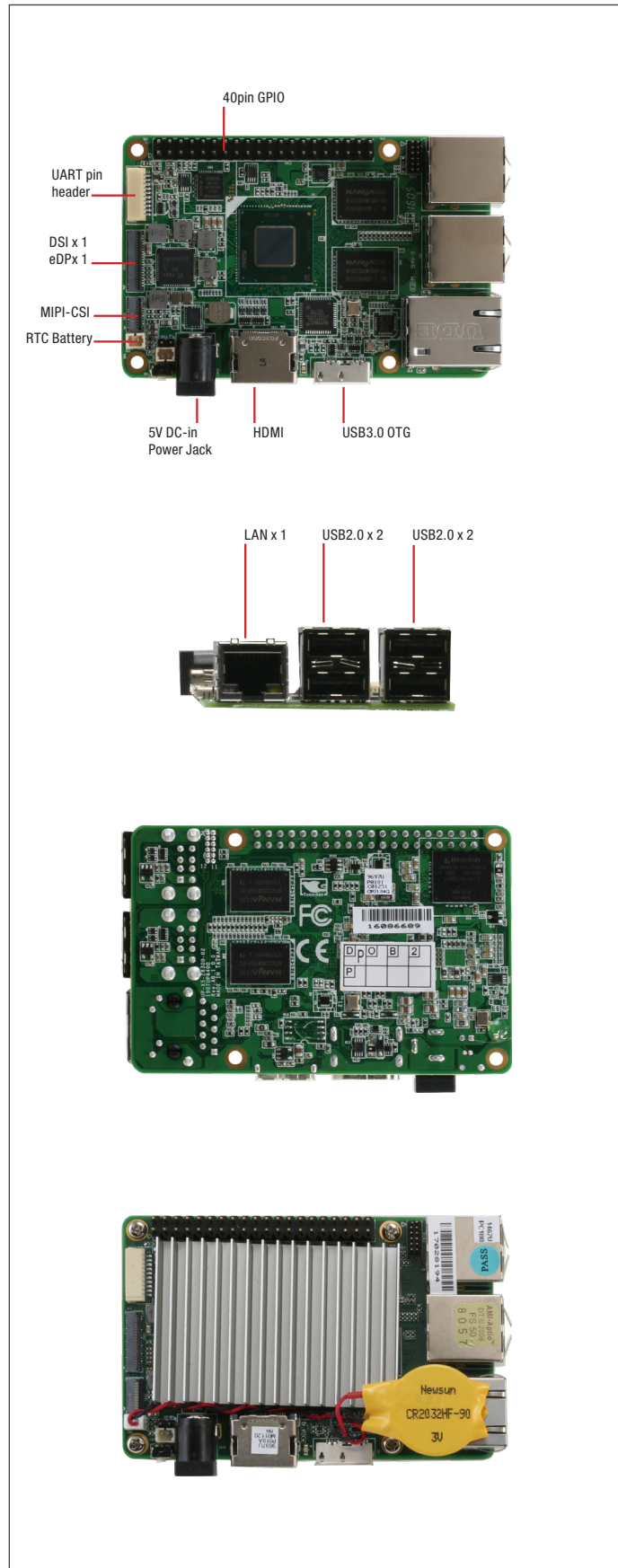


# UP Board B1.0

UP Developer Board with Intel® Atom™ x5-Z8350 Processor SoC



## Features

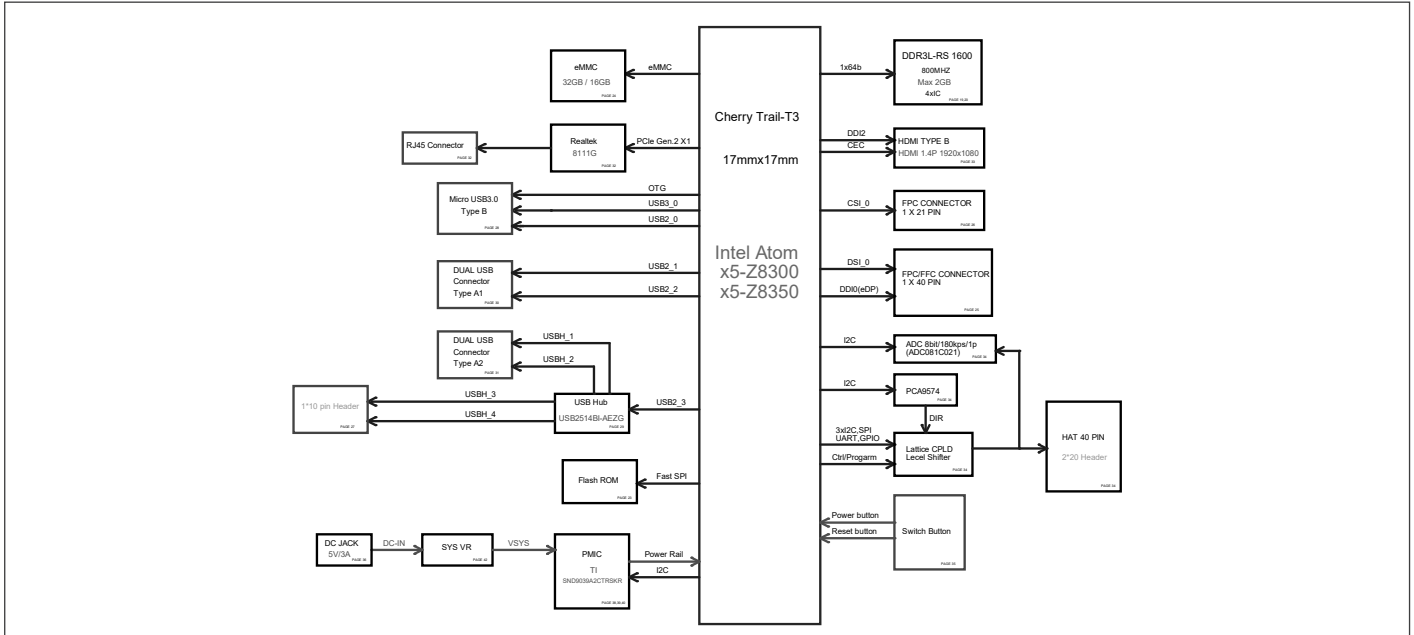
- Intel® Atom™ x5-Z8350 SoC
- Onboard DDR3L Memory up to 4GB
- Onboard eMMC Storage up to 64GB
- Gigabit LAN x 1, USB 2.0 x 4, USB 3.0 x 1, HDMI x 1
- 5V DC-in
- 40 pin GPIO x 1
- DSI/eDP x 1
- MIPI-CSI x 1



## Specifications

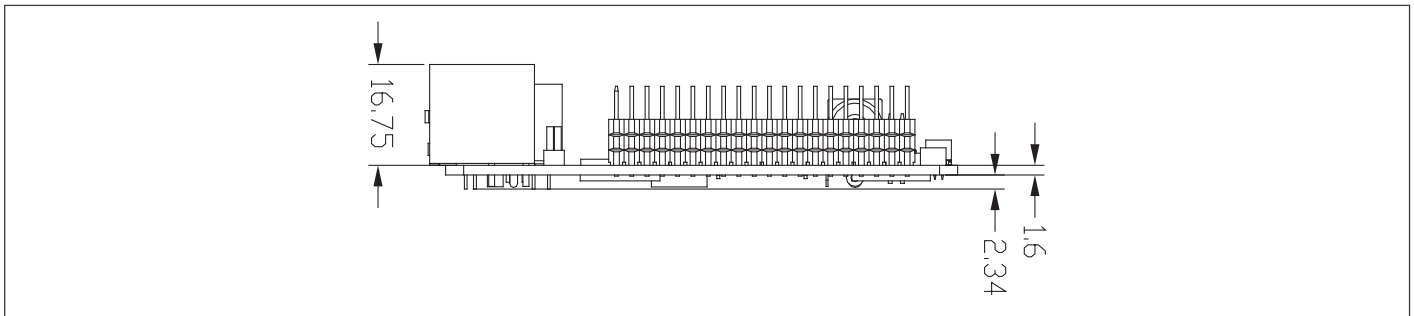
System	
Processor	Intel® Atom™ x5-Z8350 Processor SoC
Graphics	Intel® HD 400 Graphics, 12 EU GEN 8, up to 500MHz Support DX*11.1/12, Open GL*42, Open CL* 1.2 OGL ES3.0, H.264, HEVC(decode), VP8
I/O	HDMI x 1 I2S Audio port x 1
Camera	MIPI-CSI (4 MEGA pixel)
USB	USB 2.0 x4 USB 2.0 pin header (10 pins in total) x 2 USB3.0 OTG x 1
Expansion	40 pin General Purpose bus, supported by LATTICE MachXO2
RTC	Yes
Power	5V DC-in @ 4A 5.5/2.1mm jack
Dimension	3.37" x 2.22" (85.6mm x 56.5mm)
Memory	1GB/ 2GB/ 4GB DDR3L-1600
Storage	eMMC 16GB / 32GB/ 64GB
Display Interface	DSI/eDP
Ethernet	Gb Ethernet (full speed) RJ-45 x 1
OS Support	Win 10 Linux (ubinux, Ubuntu, Yocto)
Operating Temperature	32°F ~ 140°F (0°C ~ 60°C)
Operation Humidity	10% ~ 80% relative humidity, non-condensing
Certification	CE/FCC Class A, RoHS Compliant

## Block Diagram



## Dimension

Unit: mm



## Ordering Information

Part number	Description
UP-CHT01-A20-0116-B10	UP board with z8350 CPU, 1GB RAM+16GB eMMC, passive heatsink, B10 version
UP-CHT01-A20-0216-B10	UP board with z8350 CPU, 2GB RAM+16GB eMMC, passive heatsink, B10 version
UP-CHT01-A20-0232-B10	UP board with z8350 CPU, 2GB RAM+32GB eMMC, passive heatsink, B10 version
UP-CHT01-A20-0432-B10	UP board with z8350 CPU, 4GB RAM+32GB eMMC, passive heatsink, B10 version
UP-CHT01-A20-0464-B10	UP board with z8350 CPU, 4GB RAM+64GB eMMC, passive heatsink, B10 version

## Packing List

- UP-CHT01 with Heatsink