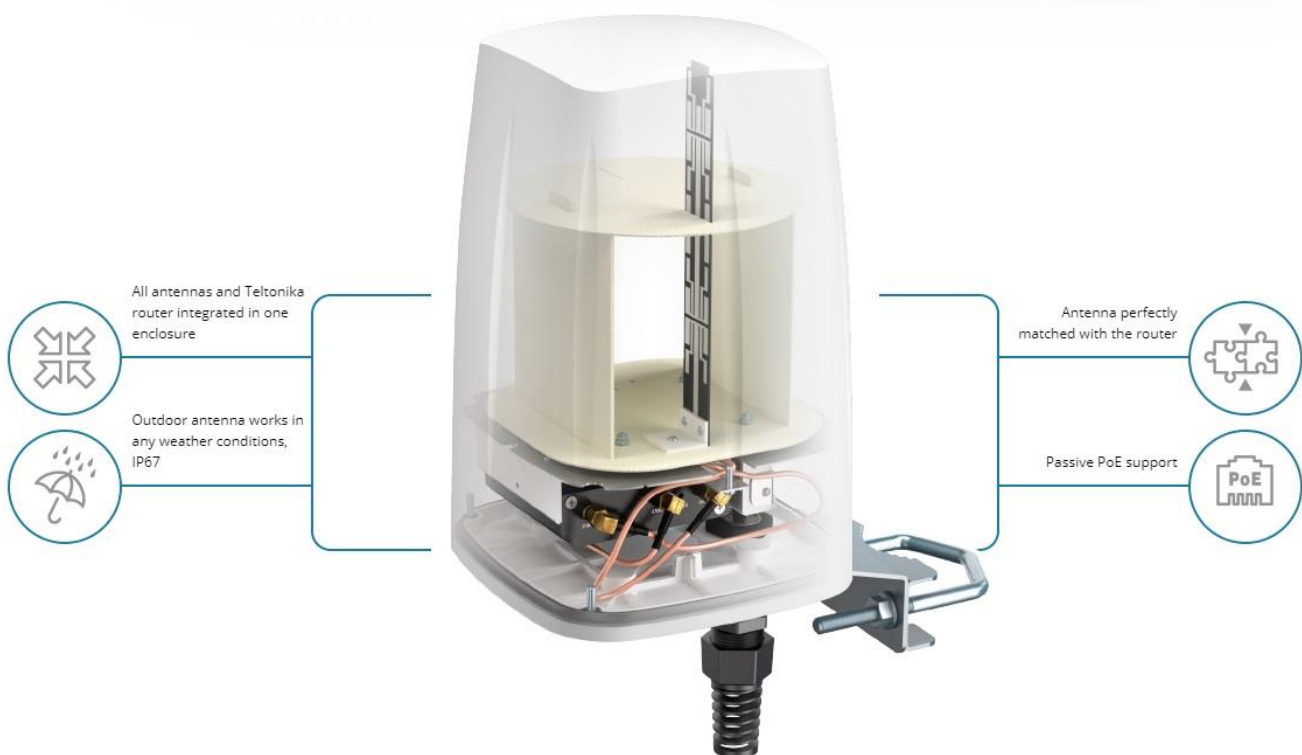


# QuSpot for RUT240/230

**INTEGRATED MULTI-BAND LTE OMNI ANTENNA + WIFI OMNI ANTENNA + PLACE TO INSTALL TELTONIKA RUT240 OR 230 (ALL-IN-ONE)**

QuSpot omni LTE antenna for Teltonika RUT240 or 230 router is a perfect outdoor device for mobile and fixed installations like industrial, CCTV, hotspots, yachts, boats, campers, RV etc. It has embedded also omni Wi-Fi antenna. If you use RUT240 or 230 with QuSpot antenna, you get an integrated complete solution with embedded router and multi band antennas in one enclosure.

NOTE: For RUT230 one LTE antenna is unplugged.



## OUTDOOR

Use Teltonika router whenever you want

## ANTENNA

Maximize your signal with QuWireless antennas

## SOLUTION

Plug Teltonika router and you are good to go

**LTE SPECIFICATION**

FREQUENCY	0.694-0.96 GHz 1.7 - 2.2 GHz 2.2 - 2.7 GHz
GAIN	2 dBi 2 dBi 4 dBi
VSWR	<1.70, max <2.00 <1.60, max <2.00 <1.60, max <2.00
BEAMWIDTH	360°/35° +/- 5° 360°/35° +/- 5° 360°/35° +/- 5°
POLARIZATION	Vertical
IMPEDANCE	50 Ω

**WI-FI SPECIFICATION**

FREQUENCY	2.40-2.50 GHz 4.70 - 6.00 GHz
GAIN	6 dBi 7 dBi
VSWR	<1.70, max <2.00 <1.70, max <2.00
BEAMWIDTH	360°/25° +/- 5° 360°/25° +/- 5°
POLARIZATION	Vertical
IMPEDANCE	50 Ω

**MECHANICAL SPECIFICATION**

MATERIALS	ABS, aluminum, PTFE
INGRESS PROTECTION	IP67
DIMENSIONS	160 x 160 x 240 mm 6.3 x 6.3 x 9.45 inch
WEIGHT	1.5 kg 3.31 lbs
OPERATING TEMPERATURE	From -40°C to 75°C From -40°F to 167°F

## DEVICE SPECIFICATION

## DIMENSIONS



Small and reliable cellular router with 3G & WiFi. Equipped with Ethernet and I/O. RUT230 is perfect for challenging applications within energy, industry, smart city and IoT sectors.

---

[RUT230 Datasheet](#)

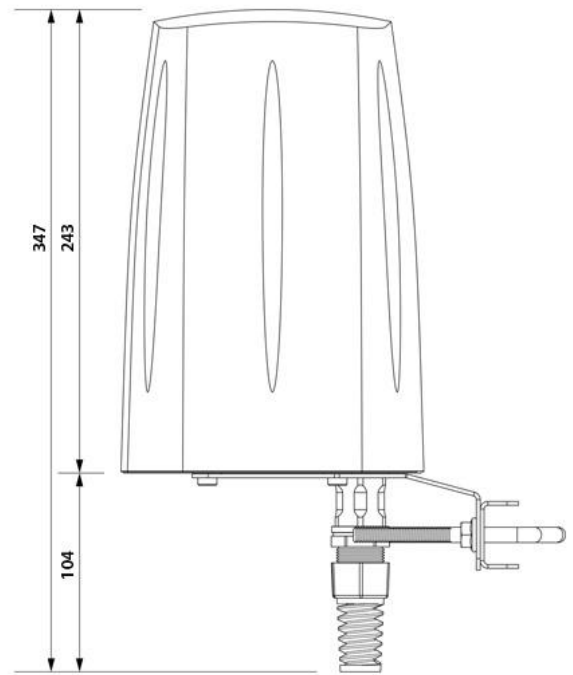
---

[RUT230 User Manual](#)

---

[RUT230 Quick Start Guide](#)

---



Compact but powerful 4G LTE & WiFi cellular router with Ethernet and I/O. Great for quick deployment in mission critical IoT applications where advanced Networking, VPN and security features are needed.

---

[RUT240 Datasheet](#)

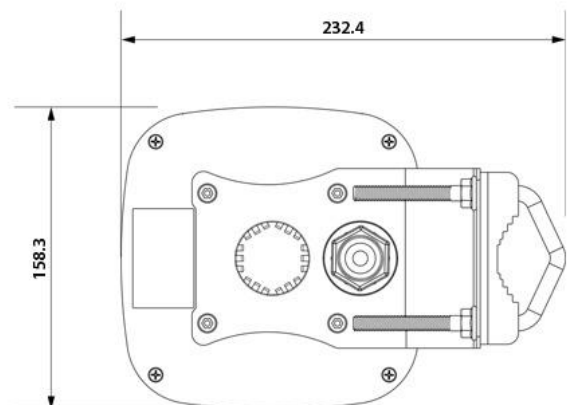
---

[RUT240 User Manual](#)

---

[RUT240 Quick Start Guide](#)

---



### HEADQUARTER:

Wireless Instruments sp. z o.o.

ul. Kościuszki 27

52-116 Iwiny

POLAND

[sales@quwireless.com](mailto:sales@quwireless.com)

tel 1. +48 601 366 369

tel 2. +48 577 667 761

[www.quwireless.com](http://www.quwireless.com)