

1

2

3

4

5

3

BLACK ULTEM PEI 1000 COVER:-
HIGH IMPACT, UV STABILISED,
FLAME RETARDANT UL94-V0
ZERO HALOGEN

110

59

IP SEALING GASKET

N-TYPE SOCKET DC GROUNDED.
PROTECTIVE CAP SUPPLIED.

NOTES:

- SAMPLES MUST BE APPROVED BY PANORAMA ANTENNAS Q.C. BEFORE COMMENCING PRODUCTION.
- ALL MATERIALS SUPPLIED MUST BE RoHS2 (DIRECTIVE 2011/65/EU) COMPLIANT AND MUST NOT CONTAIN ANY SUBSTANCES OF VERY HIGH CONCERN (SVHCs) LISTED UNDER REACH OR POLY-AROMATIC HYDROCARBONS (PAHs), OR PERSISTENT ORGANIC POLLUTANTS (POPs) CONTROLLED BY THE STOCKHOLM CONVENTION.

260

115

ALUMINIUM ALLOY
BASE WITH ABRASION
AND CORROSION
PROTECTION

Ø 12.4 MOUNTING HOLE TYP.

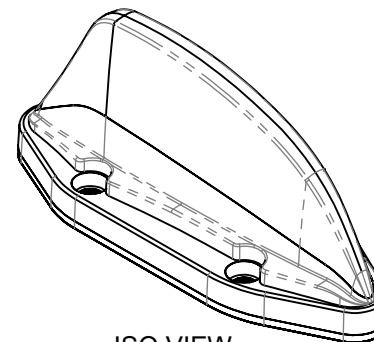
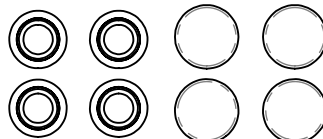
Ø 19.7 C/BORE TYP.

65

50

58.3

4 x M12 SEALING
WASHERS AND BOLT
CAPS SUPPLIED LOOSE



ISO VIEW
SCALE 1:4

PRODUCT/ASSEMBLY
TRANSIT ANTENNA

DESCRIPTION
TRAIN ANTENNA 698-960/1710-6000MHZ

MATERIAL
N/A

FINISH
N/A

WEIGHT
5933.52g

APPROVED **KD** DO.CHECK **KD**

SCALE **1:2.5** DIMENSIONS IN mm

DO NOT SCALE 3RD ANGLE PROJECTION

RD107	A	INITIAL ISSUE.	04/03/2016	AR
-------	---	----------------	------------	----

01019	B	INITIAL ISSUE	20/05/2016	AR
-------	---	---------------	------------	----

01019	1	PRODUCTION ISSUE	14/06/2016	AR
-------	---	------------------	------------	----

01019	2	INTERNAL COMPONENTS AND NOTES UPDATED.	25/01/2017	AR
-------	---	--	------------	----

01019	3	ELEMENT AND BASE UPDATED.	28/03/2018	AR
-------	---	---------------------------	------------	----

PCN	REV.	DESCRIPTION	DATE	DRN
-----	------	-------------	------	-----

TOLERANCES UNLESS OTHERWISE STATED

0 DEC. PLACE ±0.5 2 DEC. PLACES ±0.1

1 DEC. PLACE ±0.2 ANGULAR ±1°

△ DENOTES LATEST ISSUE CHANGES

○ DENOTES CRITICAL VALUE



THIS DOCUMENT MUST NOT BE COPIED OR DISCLOSED TO A THIRD PARTY WITHOUT THE WRITTEN CONSENT OF PANORAMA ANTENNAS LTD.