

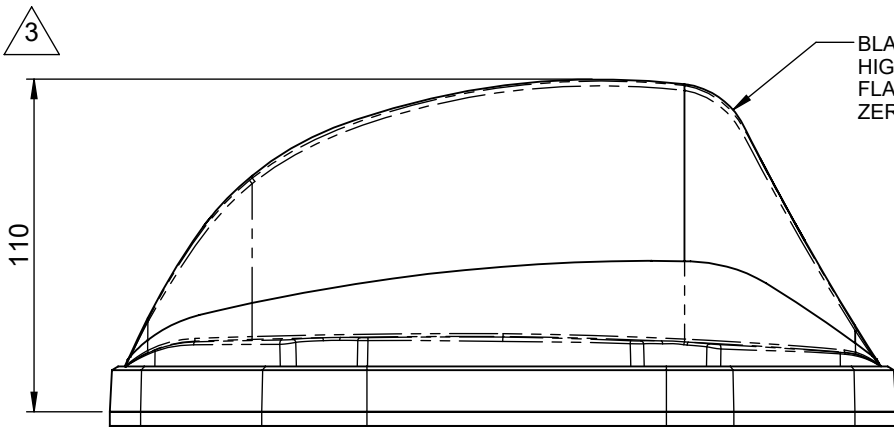
1

2

3

4

5

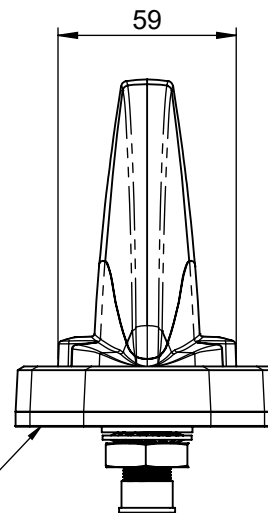


BLACK ULTEM PEI 1000 COVER:-  
HIGH IMPACT, UV STABILISED,  
FLAME RETARDANT UL94-V0  
ZERO HALOGEN

TNC SOCKET  
GPS/GNSS  
SURGE  
PROTECTION.  
PROTECTIVE CAP  
SUPPLIED.

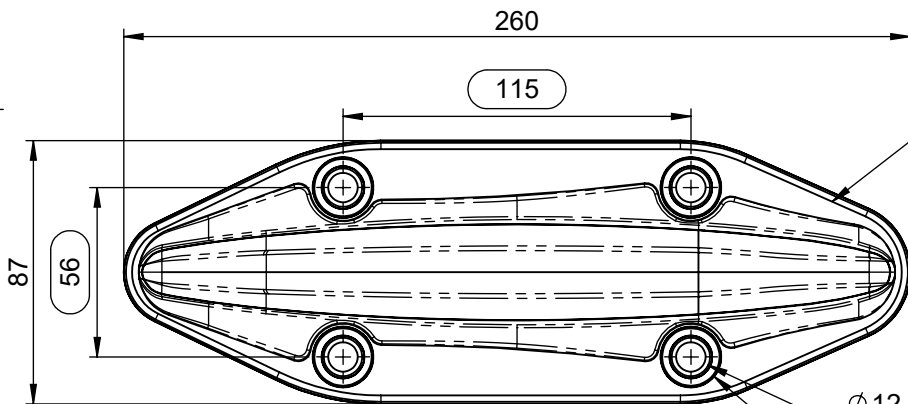
N-TYPE SOCKET DC GROUNDED.  
PROTECTIVE CAP SUPPLIED.

IP SEALING GASKET



NOTES:

- SAMPLES MUST BE APPROVED BY PANORAMA ANTENNAS Q.C. BEFORE COMMENCING PRODUCTION.
- ALL MATERIALS SUPPLIED MUST BE RoHS2 (DIRECTIVE 2011/65/EU) COMPLIANT AND MUST NOT CONTAIN ANY SUBSTANCES OF VERY HIGH CONCERN (SVHCs) LISTED UNDER REACH OR POLY-AROMATIC HYDROCARBONS (PAHs), OR PERSISTENT ORGANIC POLLUTANTS (POPs) CONTROLLED BY THE STOCKHOLM CONVENTION.

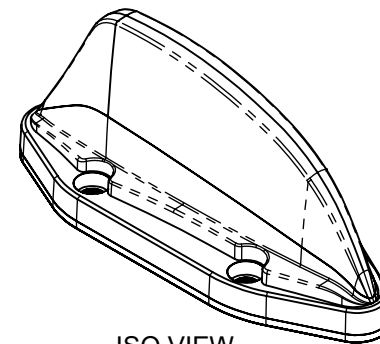
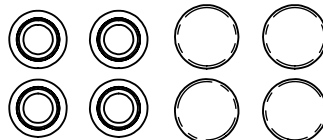


ALUMINIUM ALLOY  
BASE WITH ABRASION  
AND CORROSION  
PROTECTION

Ø 12.4 MOUNTING HOLE TYP.

Ø 19.7 C/BORE TYP.

4 x M12 SEALING  
WASHERS AND BOLT  
CAPS SUPPLIED LOOSE



ISO VIEW  
SCALE 1:4

PRODUCT/ASSEMBLY  
**TRANSIT ANTENNA**

DESCRIPTION  
**TRAIN ANT 698-960/1710-6000MHz/GPS**

MATERIAL  
**N/A**

FINISH  
**N/A**

WEIGHT  
**1094.09g**

APPROVED **KD** DO.CHECK **KD**  
SCALE **1:2.5** DIMENSIONS IN mm

DO NOT SCALE	3RD ANGLE PROJECTION			
	INITIAL ISSUE.			
RD107 A		04/03/2016	AR	
	INTERNALS UPDATED.			
RD107 B		16/05/2016	AR	
	PRODUCTION ISSUE			
01019 1		16/06/2016	AR	
	INTERNAL COMPONENTS AND NOTES UPDATED.			
01019 2		18/01/2017	AR	
	ELEMENT AND BASE UPDATED.			
01019 3		28/03/2018	AR	
PCN	REV.	DESCRIPTION	DATE	DRN

TOLERANCES UNLESS OTHERWISE STATED

0 DEC. PLACE ±0.5	2 DEC. PLACES ±0.1
1 DEC. PLACE ±0.2	ANGULAR ±1°

△ DENOTES LATEST ISSUE CHANGES  
○ DENOTES CRITICAL VALUE



THIS DOCUMENT MUST NOT BE COPIED OR DISCLOSED TO A THIRD PARTY WITHOUT THE WRITTEN CONSENT OF PANORAMA ANTENNAS LTD.