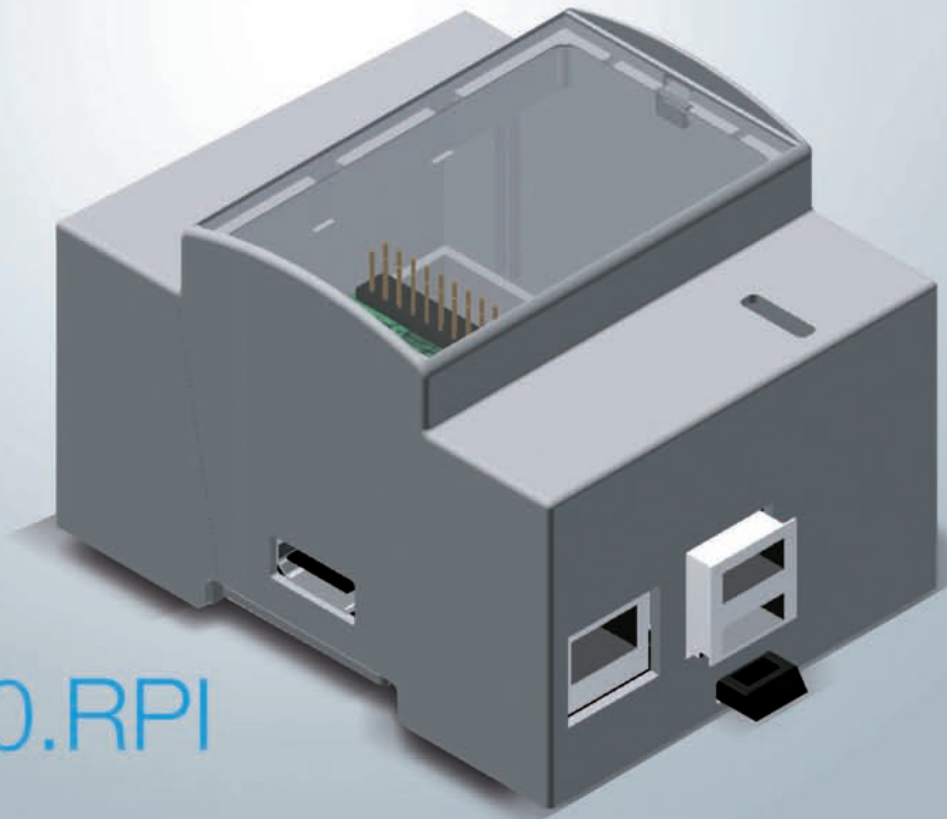
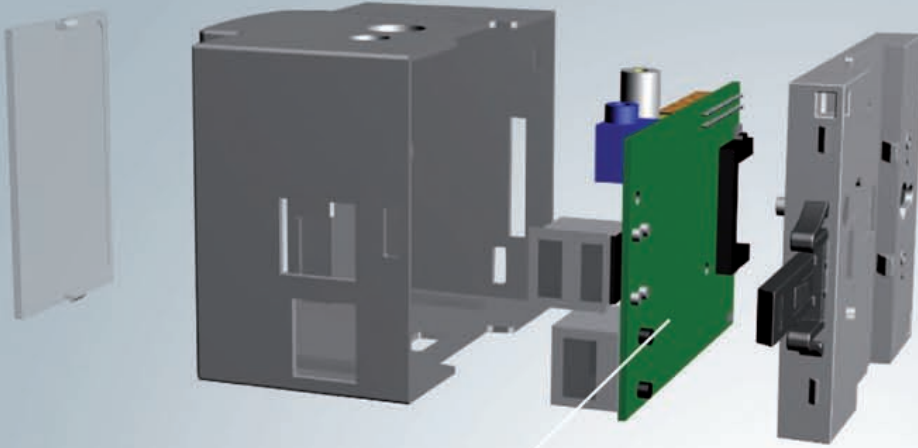


# Raspberry enclosure for rail din ELECTRICAL DOMESTIC cabinet 43880 STD application.

**Italtronic**<sup>®</sup>  
S.r.l.  
...the value container



Code description pricelist

**25.0410000.RPI**

Kit 4M Rasp top transparent.

## Enclosure Modulbox 4M for Raspberry.

The kit include top transparent Panel. Special finishing, drilling or digital print low cost available in fast delivery too.

*Hitaltech*  
A group of connecting technologies

[www.hitaltech.com](http://www.hitaltech.com)

Manufactured by **Italtronic Srl.** the 4M Modulbox RPI is a housing produced to enclose the Raspberry Pi printed circuit board.

The kit supplied includes:

- Transparent top panel
- Enclosure body & base
- DIN Rail hook

Cost effective customised printing and machining is also available on request (please contact your local technical sales engineer at Hitaltech for further information).

