

TwistPort™ Adaptor for Mimosa WG

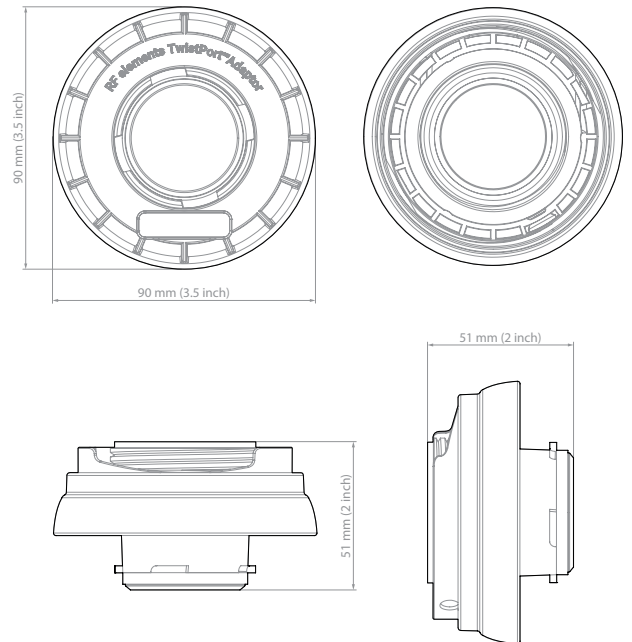
The TwistPort™ Adaptor for Mimosa WG makes the radio compatible with all TwistPort™ Antennas. TwistPort™ Adaptors are equipped with our original quick-locking waveguide port. With the Mimosa WG TwistPort™ adaptor, you can easily switch between H/V and dual slant polarization setup.



TECHNICAL DATA

Antenna Connection	TwistPort™ - Quick Locking Waveguide Port
Materials	Insert - Aluminium Alloy Adaptor - UV stabilized and weather resistant ABS plastic
Flame Rating	UL 94 HB
Temperature	-40°C to +60°C (-40°F to +140°F)
Wind Survival	160 km/h (100 miles/h)
Weight	0.15 kg (0.3 lbs) – single unit 0.18 kg (0.4 lbs) – single unit incl. package 19.2 kg (42 lbs) – carton (100 units)
Single Unit	Retail Box: 109 × 98 × 54 mm (4.2 × 3.8 × 2.1 inch)
100 Units	Carton Box: 570 × 520 × 250 mm (22.4 × 20.5 × 9.8 inch)

PRODUCT DIMENSIONS



COMPATIBLE WIRELESS PLATFORMS

RF elements®	any TwistPort™ Antenna*
Mimosa Networks	C5x, B5x

PACKAGE CONTENTS

TwistPort™ Adaptor

*The dual slant polarization setup is only usable with symmetrical beam antennas: Symmetrical Horn antennas, UltraHorn™, and UltraDish™. We do not recommend to use dual slant polarization with our Asymmetrical Horn antennas.