

## AWPCIE-AX200 is a half-size mini PCIe WiFi6 (802.11ax) card, based on high-efficiency Intel AX200

AWPCIE-AX200 supports the latest WiFi6 (IEEE 802.11ax) with special features like OFDMA, 1024QAM and MU-MIMO. Module includes also Bluetooth 5.0 radio, is backward compatible (IEEE 802.11a/b/g/n/ac) and operates in 2.4 and 5 GHz bands.

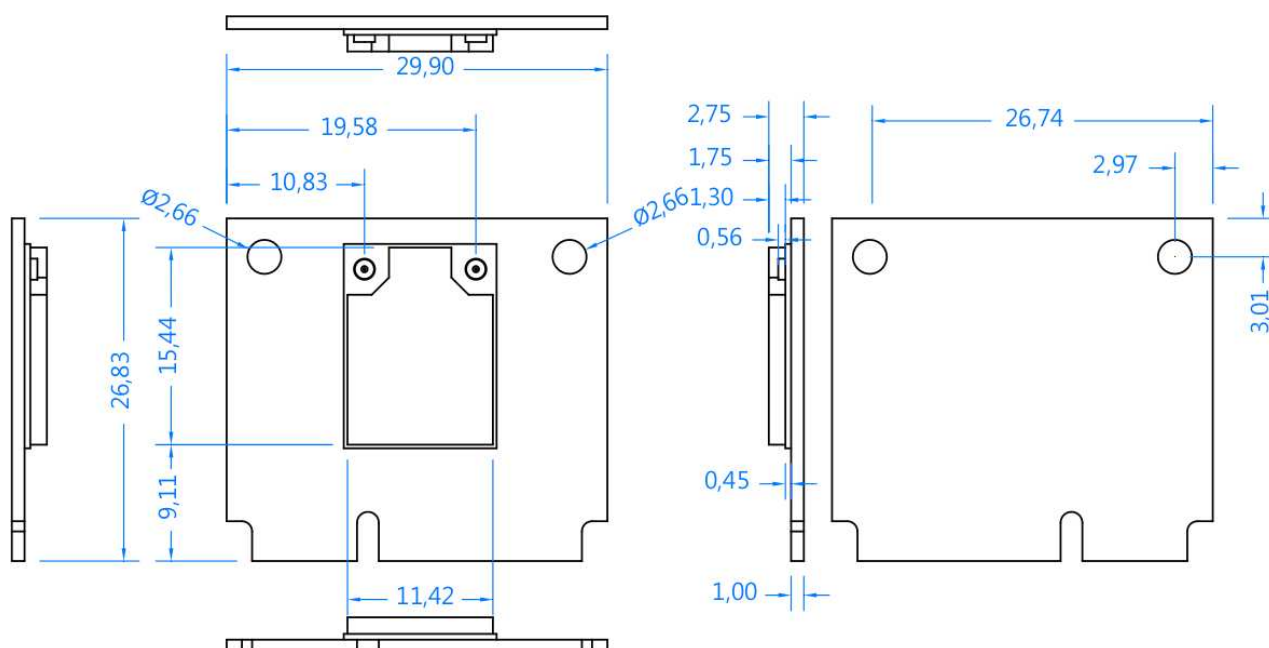
Thanks to its mini PCIe form factor (half-size) and optional IPEX4 to IPEX pigtailed, owners of legacy products can use the latest wireless technologies with a maximum 2.4 Gbps data rate.

Wide support in modern operating systems (Microsoft Windows 10, Linux, Chrome OS) helps with seamless module integration.

### Key features

- 1 Intel AX200 WiFi6 and BT5 module
- 2 half-size mini PCIe form factor
- 3 PCIe x1 (WiFi) and USB 2.0 (BT) interfaces
- 4 2x IPEX4 (MHF4) antenna connectors (IPEX4 to IPEX pigtailed sold separately)

<b>Intel product code</b>	AX200D2WL (Intel AX200 Cyclone Peak 2 series)
<b>IEEE 802.11 standards</b>	a/b/g/n/ac/ax
<b>Special features</b>	OFDMA, 1024QAM, MU-MIMO, TPC/DFS, TWT
<b>Frequency</b>	2.4 GHz 5 GHz
<b>Data rate</b>	2.4 Gbps
<b>Bluetooth</b>	5.0
<b>Antenna connectors</b>	2× IPEX4 (MHF4)
<b>Interface</b>	PCIe x1 (WiFi) USB 2.0 (Bluetooth)
<b>Operating systems</b>	Microsoft Windows 10 Linux Chrome OS
<b>Form factor</b>	half-size mini PCIe
<b>Dimensions</b>	30 × 26.8 × 2.75 mm



Top		Bottom	
1	PCIe WAKEn	3.3 V	2
3	NC	GND	4
5	NC	NC	6
7	PCIe CLKREQn	NC	8
9	GND	NC	10
11	PCIe REFCLK-	NC	12
13	PCIe REFCLK+	NC	14
15	GND	NC	16
Mechanical key			
17	RESERVED <sup>1</sup>	GND	18
19	NC	PCIe W_DISABLEn	20
21	GND	PCIe PERSTn	22
23	PCIe PERn0	3.3 V	24
25	PCIe PERp0	GND	26
27	GND	NC	28
29	GND	NC	30
31	PCIe PETn0	NC	32
33	PCIe PETp0	GND	34
35	GND	USB 2.0 D-	36
37	GND	USB 2.0 D+	38
39	3.3 V	GND	40
41	3.3 V	RESERVED	42
43	GND	WLAN LED	44
45	NC	RESERVED <sup>2</sup>	46
47	NC	NC	48
49	NC	GND	50
51	NC	3.3 V	52

<sup>1)</sup> reserved for Bluetooth disable signal

<sup>2)</sup> reserved for Bluetooth LED signal