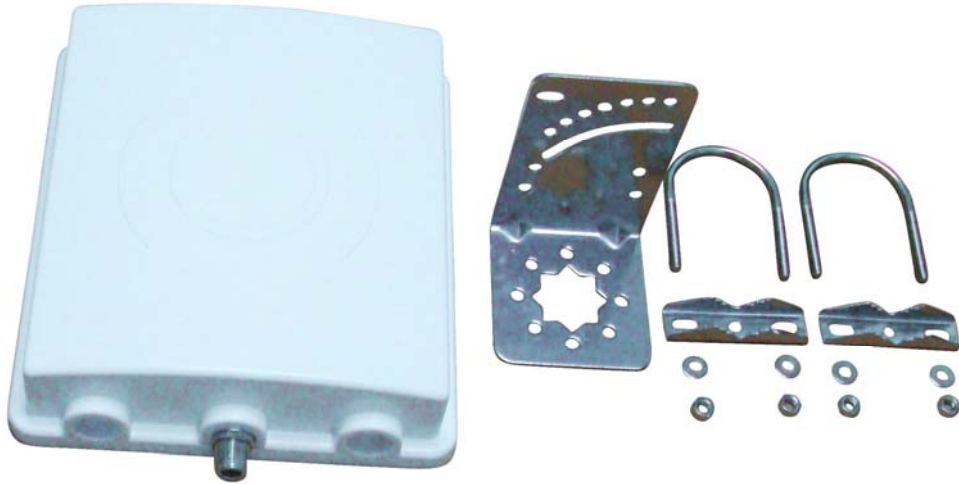


# 1700-2170 MHz PANEL 12 dBi FOR N FEMALE



Specifications/Special Features :

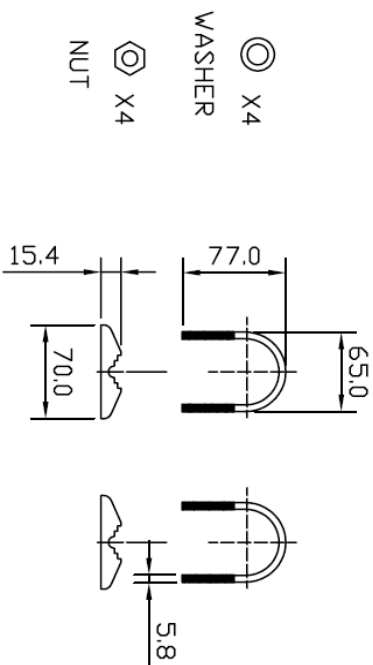
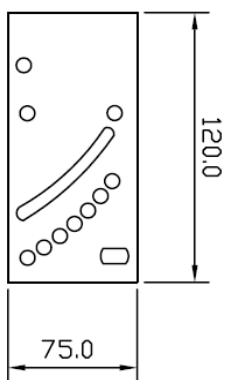
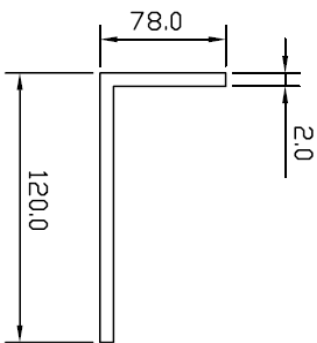
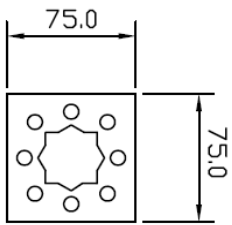
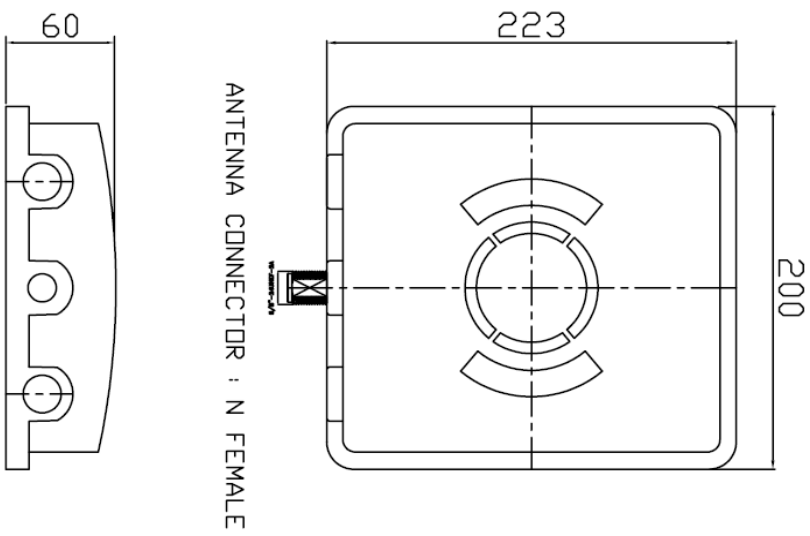
This antenna is designed for

GSM1800/GSM1900/WCDMA/LTE wireless communications

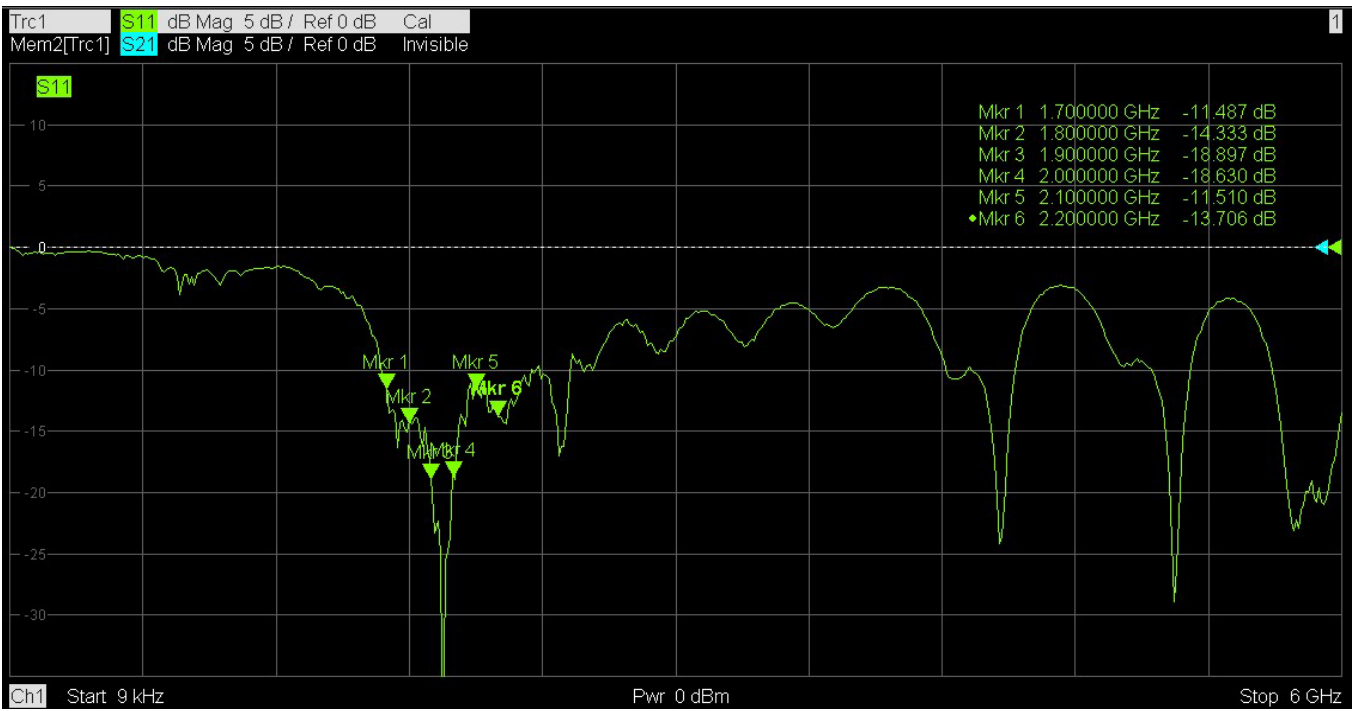
Specification	
Frequency Range	1700~2170MHz
Impedance	50 $\Omega$
V.S.W.R.	<1.8
Gain	12 dBi
Maximum Power -W	100
Polarization	Vertical
Beam width deg.	Horz.40° Vert.30°
Standard Connector	N Female
Radome Material	ABS polymer (white)
Weight	1 kg
Dimensions	L223×W200×H60 mm

PA-1721-01

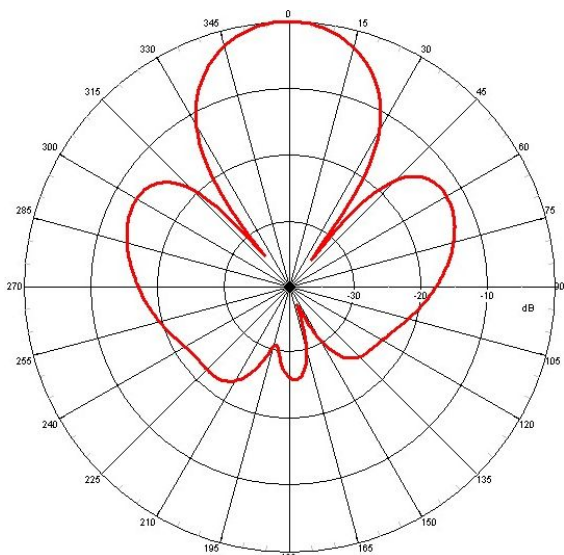
1700-2170 MHz PANEL 12 dBi FOR N JACK



1	FREQUENCY RANGE : 1700-2170 MHz	8	Dimensions : L223XW200XH60mm
2	GAIN : 12 dBi	9	
3	VSWR : < 1.8 : 1	10	
4	IMPEDANCE : 50 Ω	11	
5	POLARIZATION : LINEAR VERTICAL	12	
6	Antenna Connector : N FEMALE	13	
7	Maximum Power : 100W		



**H-PLANE**



**E-PLANE**

