

2.4-2.5GHz SECTOR 14-19 dBi FOR N FEMALE



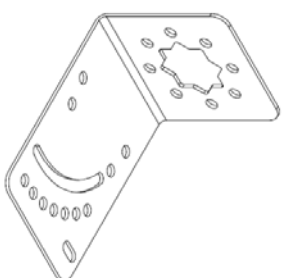
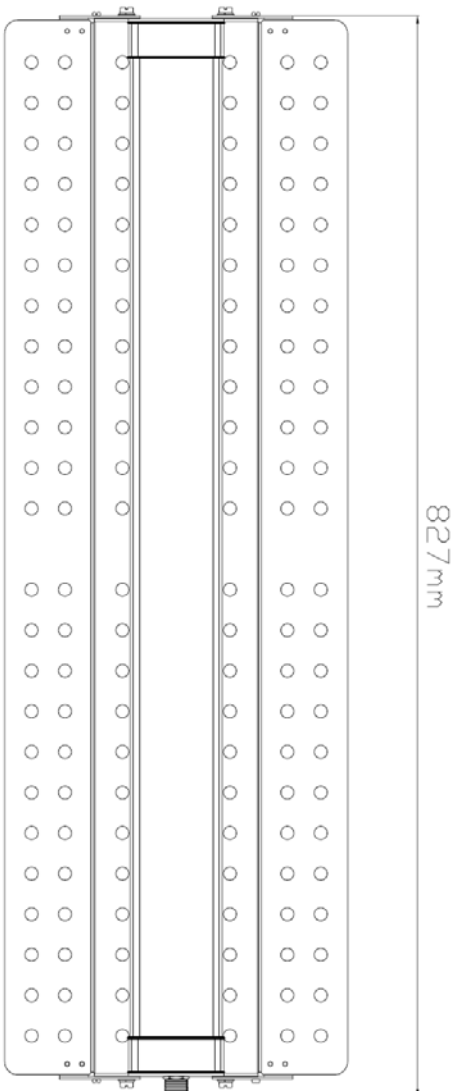
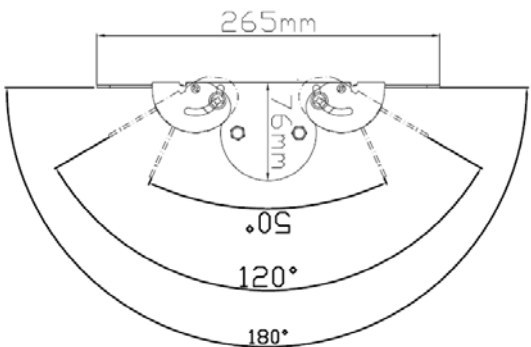
Specifications/Special Features :

This antenna is designed for wireless WIFI communications

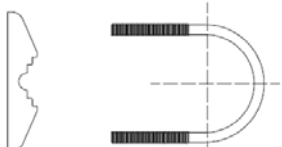
Specification	
Model No.	
Gain (dBi)	14-19 dBi
Type	Sector
Polarization	Vertical
Vertical Beam width deg.	8 - 12°
Horizontal Beam width deg.	45 - 120°
V.S.W.R.	<1.5 : 1
Operating Temperature	-30°c ~ +70°c
Frequency	2400~2500MHz
Antenna Connector	N Female
Max Power	50W
Impedance	50 Ω
Radome Material	UV Polymer
Dimensions	L827×W265×H76 mm
Mounting	L type and U-bolts
Weight	3500g

SA-24-02

2.4-2.5GHz SECTOR 14-19 dBi FOR N FEMALE



X3



X3

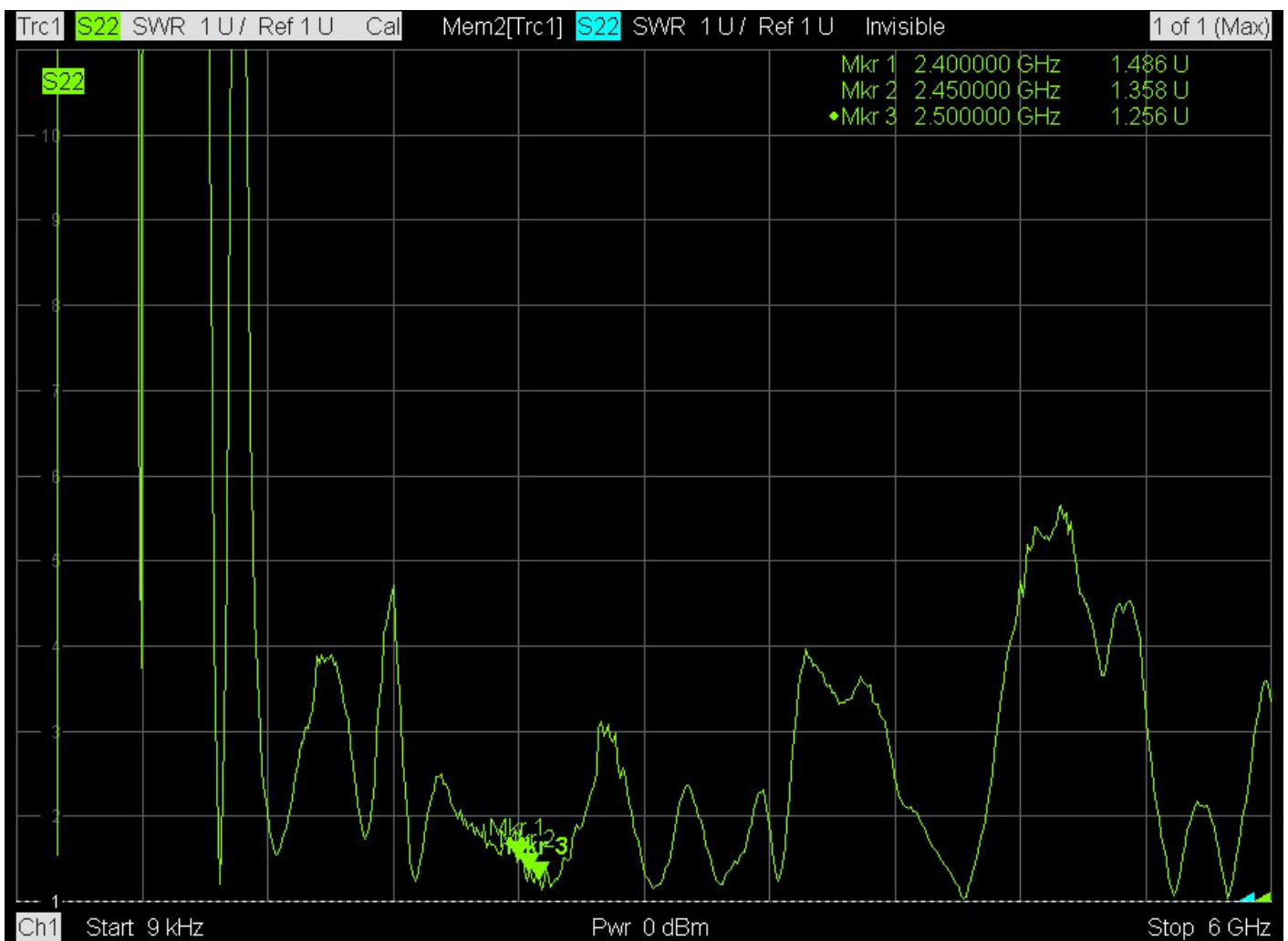
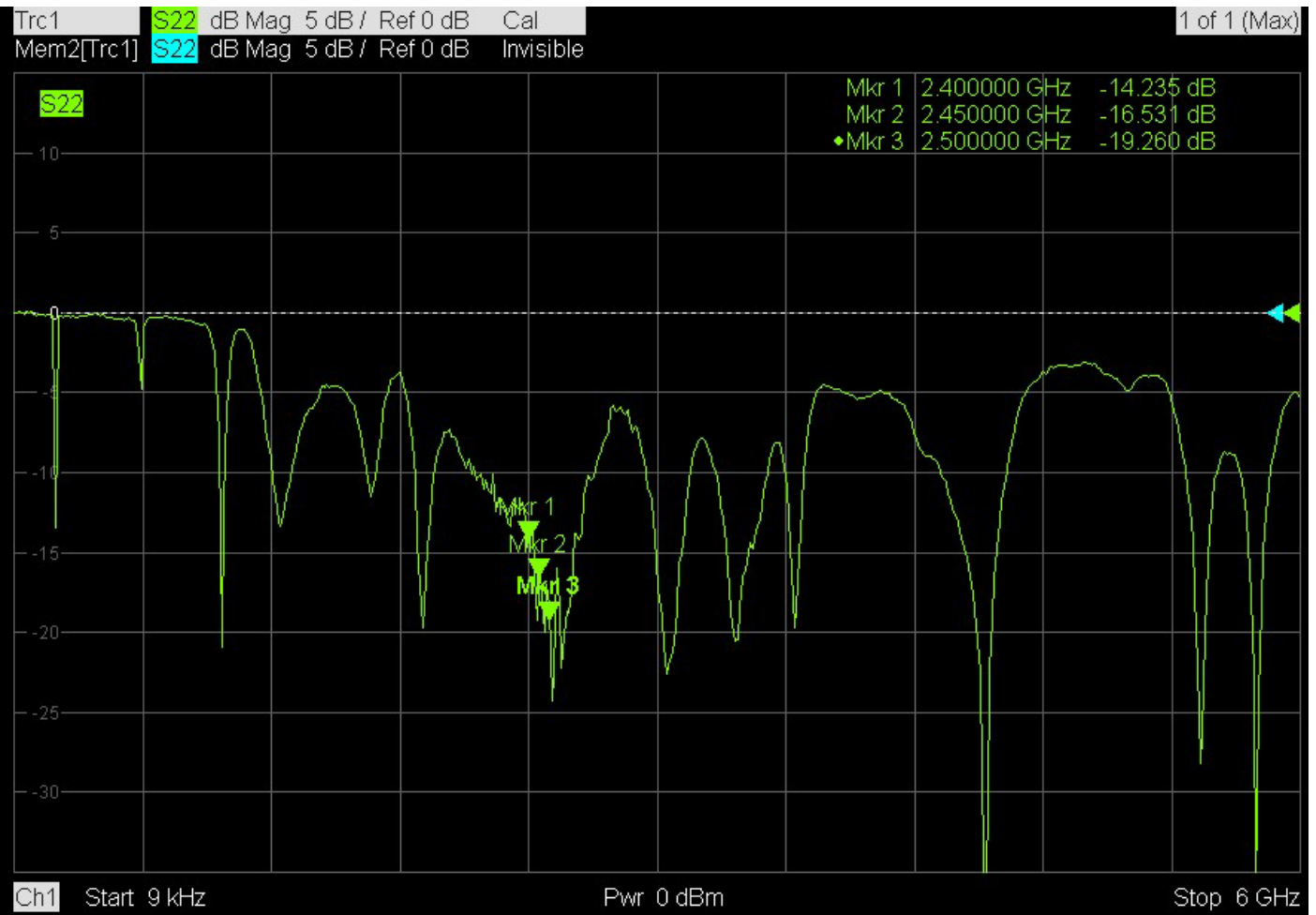
X3

WASHER X6

NUT X12

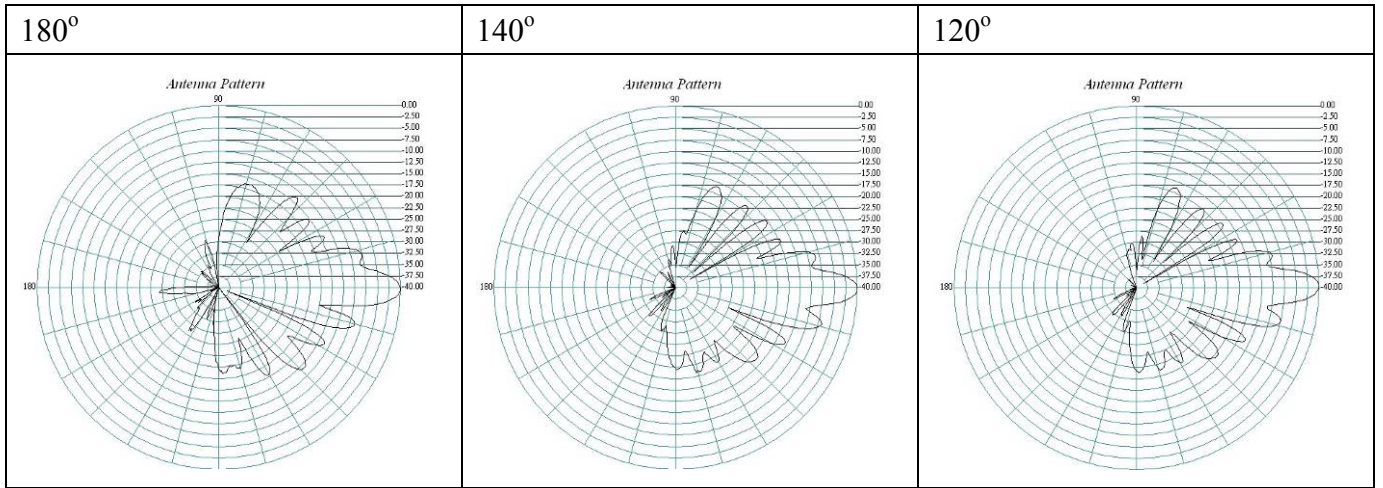
NUT X6

1	FREQUENCY : 2400-2500MHz	6	IMPEDANCE : 50Ω
2	GAIN : 14-19dBi	7	
3	V.S.W.R : <=1.5:1	8	
4	ANTENNA LENGTH : L827xW265xH76 mm	9	
5	CONNECTOR : N FEMALE	10	

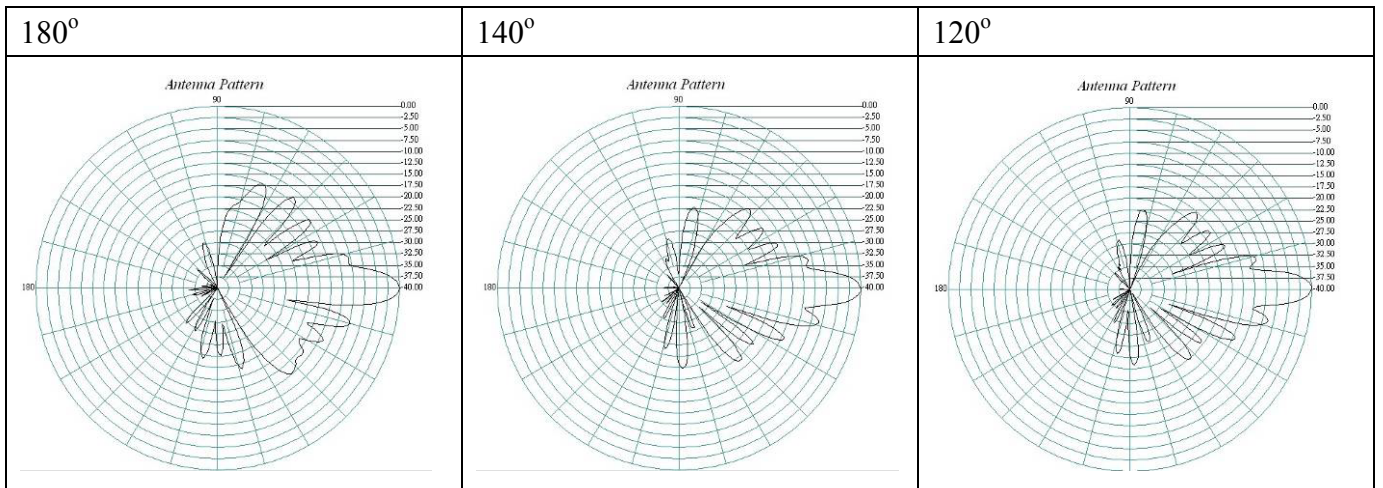


E-plane (Y-Z)

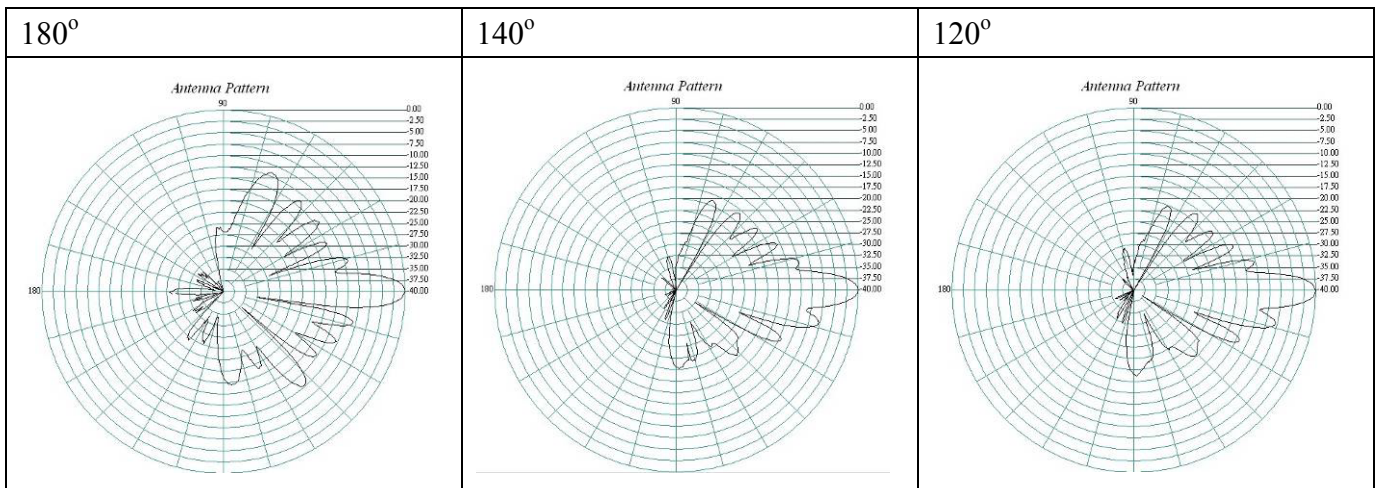
2.4GHz



2.45GHz

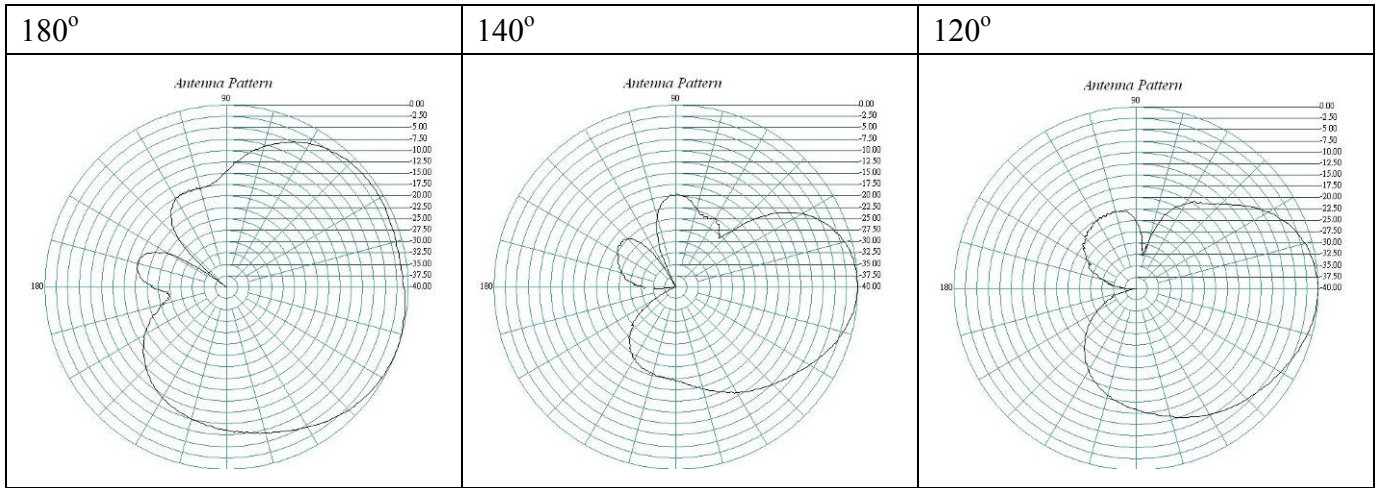


2.5GHz

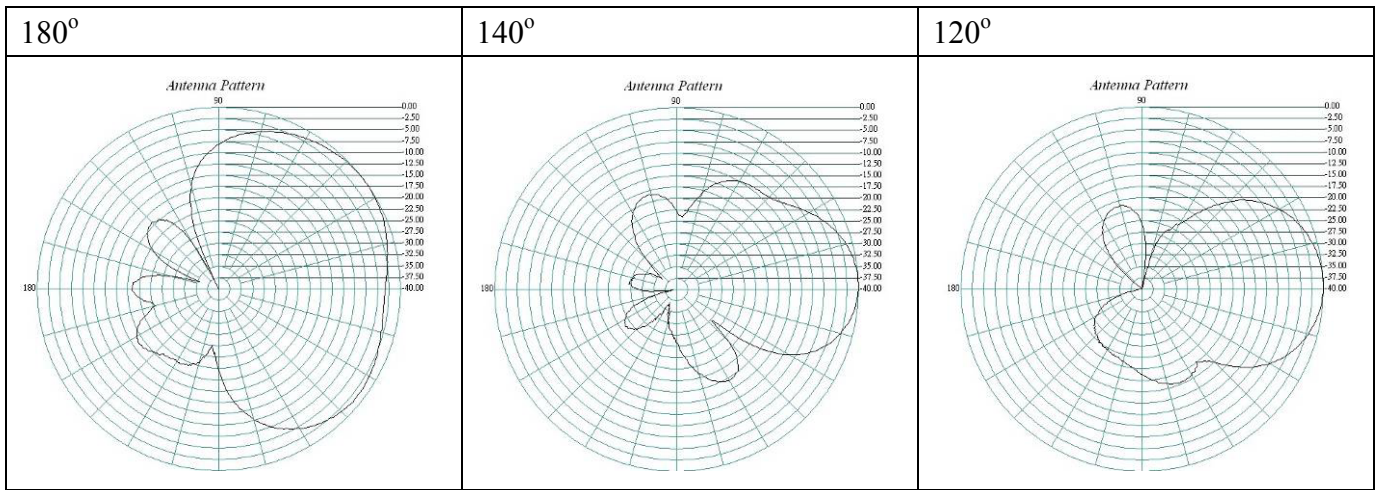


H-plane (X-Z)

2.4GHz



2.45Hz



2.5GHz

