

## 2.4-2.5GHz 3dBi / 5.1-5.8GHz 5dBi DIPOLE ANTENNA FOR SMA PLUG RP



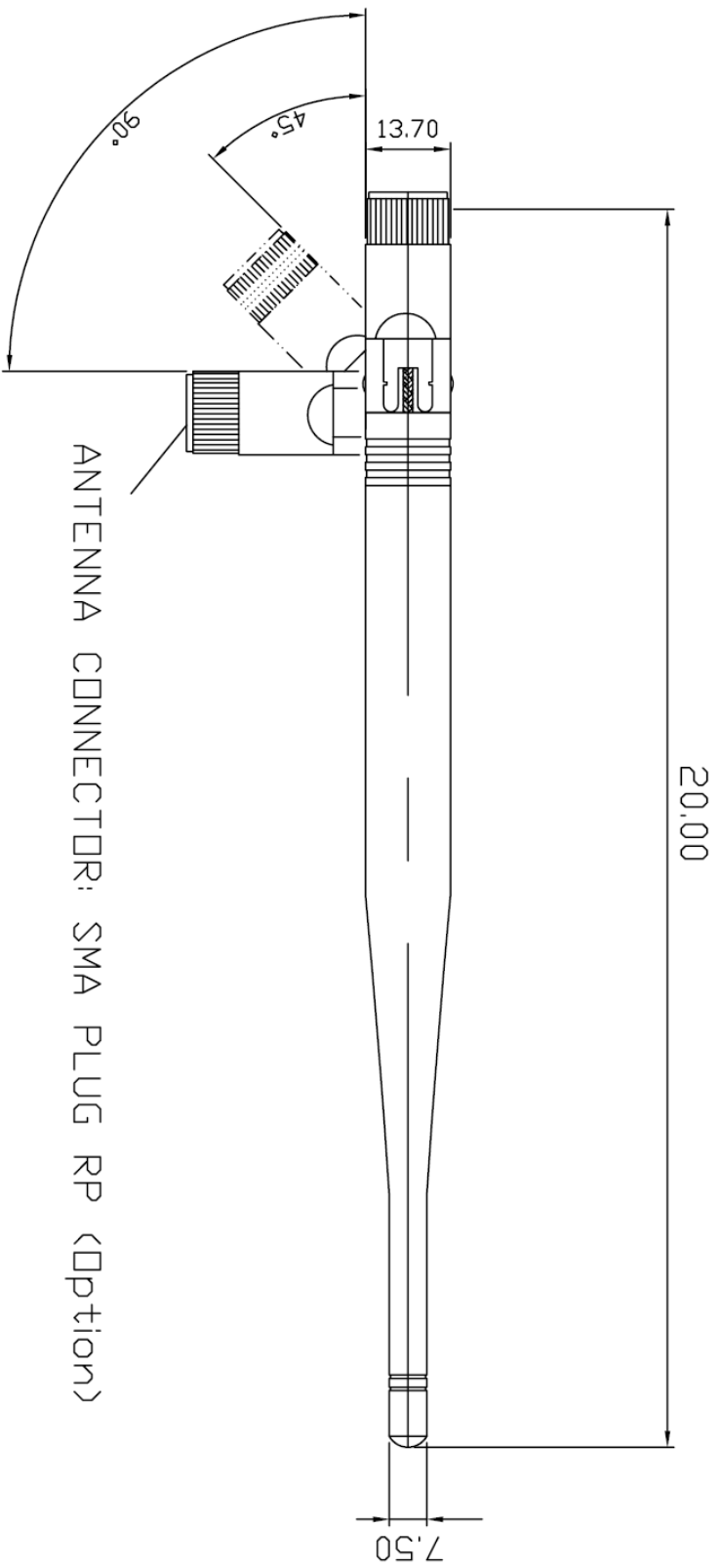
Specifications/Special Features :

This antenna is designed for wifi

Wireless communications

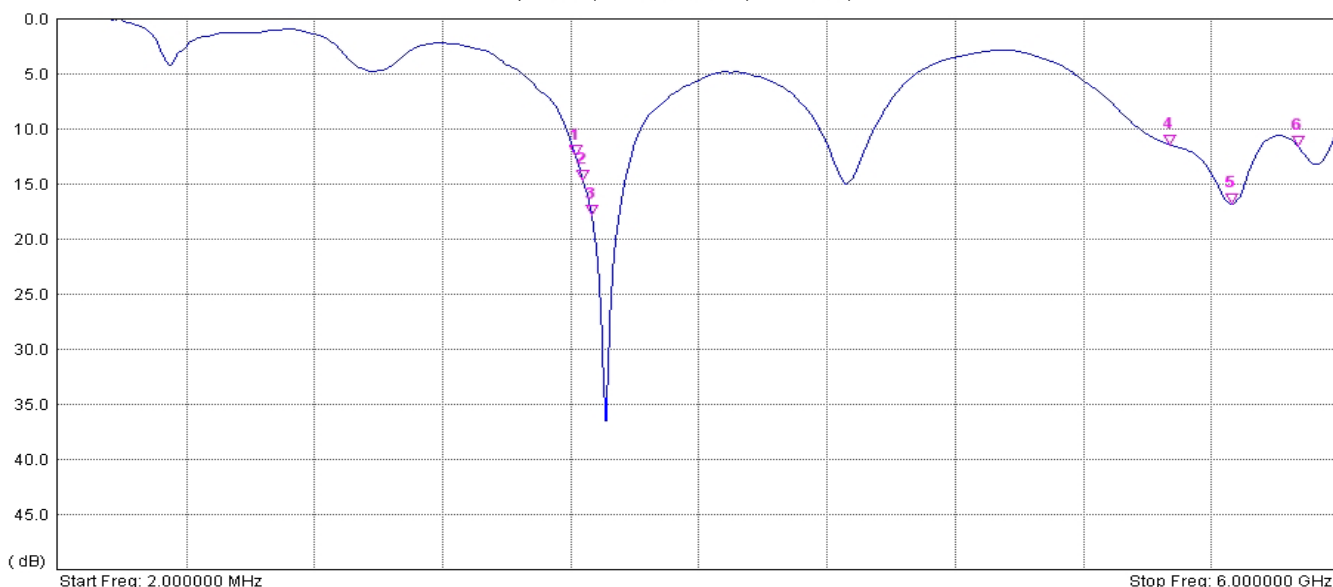
Specification	
Type	DIPOLE
Model No.	DA-2458-01
Gain ( dBi )	2.4-2.5G 3dBi / 5.1-5.8G 5 dBi
Polarization	Linear Vertical
SWR	$\leq 1.8$
Frequency	2.4~2.5GHz 5.1~5.8GHz
Connector	SMA MALE RP (Option)
Max power	50W
Dimensions	L200×W13.7×H13.7mm
Impedance	50 $\Omega$
Weight	30g

DA-2458-01	SIZE	
45° or 90°	DATE	



1	FREQUENCY : 2400-2500/5100-5800 MHz	6	IMPEDANCE : 50 Ω
2	GAIN : 2.4-2.5G 3dBi/5.1-5.8G 5dBi	7	
3	V.S.W.R : ≤1.8:1	8	
4	DIMENSIONS : L200×W13.7×H13.7 mm	9	
5	CONNECTOR : TNC & SMA ... (Option)	10	

S11 Log Magnitude  
 Captured (2008/12/24 上午 10:23:05)

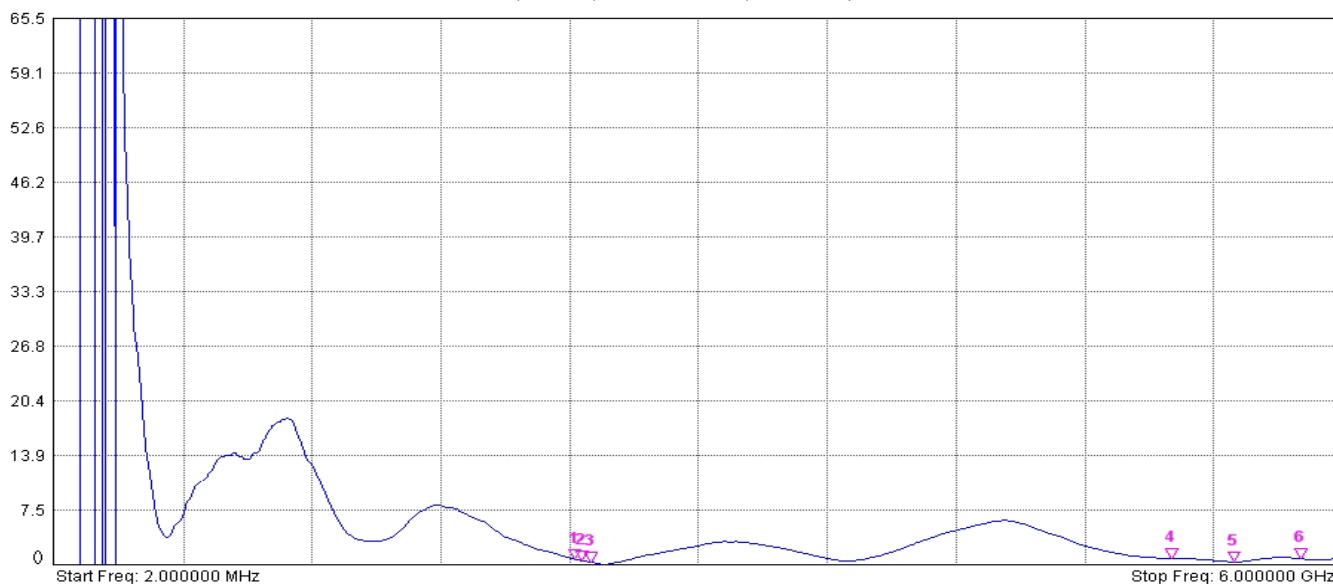


Mkr	Ref	Delta	Ref Freq	Ref Amp	Delta Freq	Delta Amp
1	<input type="checkbox"/>	<input checked="" type="checkbox"/>	2.4230 GHz	12.43 dB	--	--
2	<input type="checkbox"/>	<input checked="" type="checkbox"/>	2.4557 GHz	14.65 dB	--	--
3	<input type="checkbox"/>	<input checked="" type="checkbox"/>	2.4993 GHz	17.83 dB	--	--
4	<input type="checkbox"/>	<input checked="" type="checkbox"/>	5.2039 GHz	11.45 dB	--	--
5	<input type="checkbox"/>	<input checked="" type="checkbox"/>	5.4983 GHz	16.79 dB	--	--
6	<input type="checkbox"/>	<input checked="" type="checkbox"/>	5.8037 GHz	11.54 dB	--	--

Measurement Parameters

Calibration Status	On	Ref. Plane Leng	0
Cal Mode	Standard		
Data Points	551	Serial Number	651009
Output Power	High	Base Ver.	V1.48
Start Frequency	2.000000 MHz	App Ver.	V1.48
Stop Frequency	6.000000 GHz	Date	12/24/2008 10:23:05 AM
Smoothing %	0	Device Name	

S11 VSWR  
 Captured (2008/12/24 上午 10:23:05)

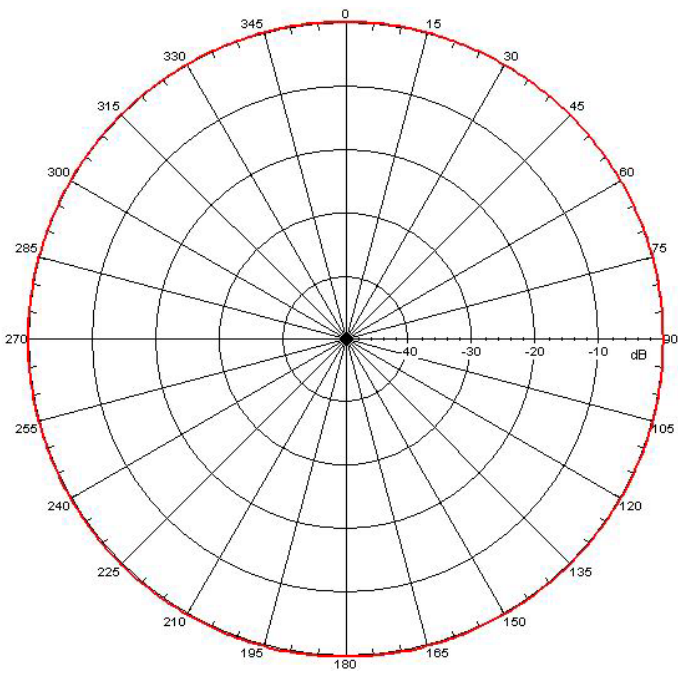


Mkr	Ref	Delta	Ref Freq	Ref Amp	Delta Freq	Delta Amp
1	<input type="checkbox"/>	<input checked="" type="checkbox"/>	2.4230 GHz	1.63	--	--
2	<input type="checkbox"/>	<input checked="" type="checkbox"/>	2.4557 GHz	1.45	--	--
3	<input type="checkbox"/>	<input checked="" type="checkbox"/>	2.4993 GHz	1.29	--	--
4	<input type="checkbox"/>	<input checked="" type="checkbox"/>	5.2039 GHz	1.73	--	--
5	<input type="checkbox"/>	<input checked="" type="checkbox"/>	5.4983 GHz	1.34	--	--
6	<input type="checkbox"/>	<input checked="" type="checkbox"/>	5.8037 GHz	1.72	--	--

Measurement Parameters

Calibration Status	On	Ref. Plane Leng	0
Cal Mode	Standard		
Data Points	551	Serial Number	651009
Output Power	High	Base Ver.	V1.48
Start Frequency	2.000000 MHz	App Ver.	V1.48
Stop Frequency	6.000000 GHz	Date	12/24/2008 10:23:05 AM
Smoothing %	0	Device Name	

# H-PLANE



# E-PLANE

