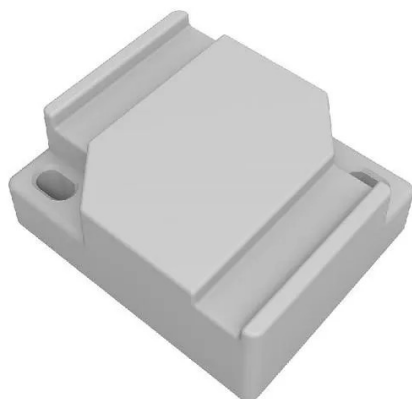


Item no.: TG-BT5-OUT

## TG-BT5-OUT - Outdoor Bluetooth Tag for the KNOT

from **15,13 EUR**

Item no.: TG-BT5-OUT  
shipping weight: 0.10 kg  
Manufacturer: MikroTik



### Product Description

#### TG-BT5-OUT - Outdoor Bluetooth Tag for the KNOT

This version of MikroTik's BLE tags comes completely sealed, cast in industrial-grade molds to give it a solid IP69k ingress protection rating. In other words, this tag is dust-tight – nothing gets in, and it is fully protected against close-range high-pressure, high-temperature spray downs. Perfect for industrial telemetry systems or to track all kinds of heavy equipment and materials at a construction site.

Like the indoor version, this tag also supports iBeacon, Eddystone, and MikroTik telemetry formats. There is an NFC encoded MAC address and optional encryption. Unlike the indoor version, the outdoor tag comes with a built-in temperature sensor that can be used for condition monitoring. The  $\pm 0.5^{\circ}\text{C}$  precision can be very useful in cold supply chain logistics.

TG-BT5-OUT features an improved 550 mAh battery that will last around five years (with a sending interval of 1s). It is suitable for strapping to all kinds of surfaces, and it can handle a temperature range of  $-20^{\circ}\text{C}$  to  $85^{\circ}\text{C}$ .

- Product code: TG-BT5-OUT
- Bluetooth version: 5.2
- Antenna gain (dBi): 1.5
- Antenna beam width:  $360^{\circ}$
- Sensors: Accelerometer, temperature sensor
- Battery: 550 mAh
- Estimated battery life (MikroTik format, 1s/5s update interval): 5-15 years
- Mounting: Strapping
- Temperature sensor accuracy:  $\pm 0.5^{\circ}\text{C}$  (typ.)
- Magnet activation: Yes
- Condition monitoring and logging: Yes
- NFC with encoded serial number: Yes
- Optional AES encryption: Yes
- Screw mounting: Yes
- Dimensions: 38 x 32 x 16
- Supported Bluetooth packet formats: MikroTik proprietary (default), Eddystone TLM, iBeacon
- Mounting: Strapping, M3 screw
- Weight: 27 g
- IP rating: IP69k

### Specifications

Scan this QR code to  
view the product  
All details, up-to-date  
prices and availability

