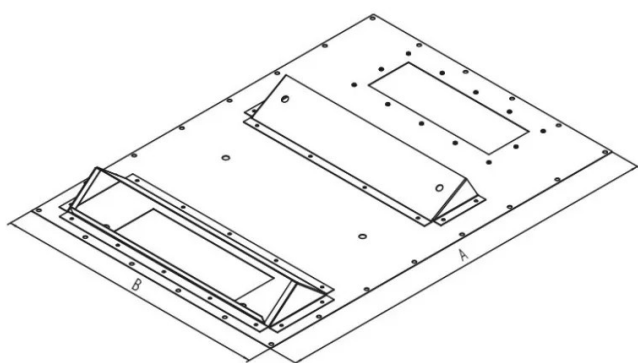


Item no.: 325027

RAC-RV-X68-Y6 - Additional panel for air conditioning unit type X1, X2, along

from **49,21 EUR**

Item no.: 325027
shipping weight: 3.00 kg
Manufacturer: Triton



Product Description

Triton RAC-RV-X68-Y6 - Additional panel for mounting the air conditioning unit type X1, X2, along the cabinet

For active temperature management we offer high quality STULZ- Cosmotec A/C units under the Triton brand. These compact A/C ETE units are designed to cool equipment in every single data cabinet (RDE and RIE series) with IP54 protection.

In order to utilise the maximum potential of A/C units with cooling air directed properly according to all equipment needs, we supply installation adapters for RDE and RIE cabinets. This is a metallic panel which is screwed to the large-sized opening at the top of the cabinet where the installation of A/C is required. Adapters are symmetric which means that rotating is simple.

Cooling units 800 mm wide can be mounted on cabinets 800 mm wide only. Cooling units 600 mm wide can be mounted on cabinets 600 mm and 800 mm wide.

- Type: RAX-RV-X68-Y6
- A (mm) cabinet depths: 800
- B (mm) cabinet width: 600
- A/C unit type: X1, X2
- Direction of A/C installation: Longitudinally
- Assembly set: 24 pcs. M5x12 ; 24 pcs. rubber sealing

Specifications

Scan this QR code to
view the product
All details, up-to-date
prices and availability

