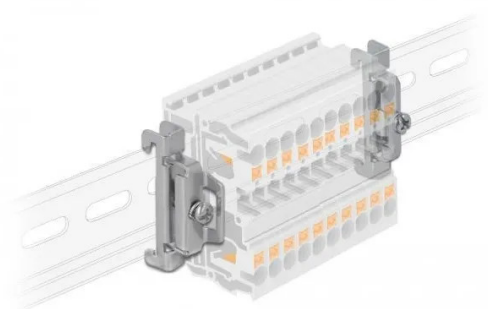


Item no.: 373030

66231 - Top-hat rail end clamps, steel, screwable 4 pieces

from **2,63 EUR**

Item no.: 373030
shipping weight: 0.10 kg
Manufacturer: Delock



Product Description

This top-hat rail end clamp is used to secure terminal blocks or converters, for example, which are attached to the top-hat rail. Secure hold on the top-hat rail. The devices remain in their original position even in the event of vibrations and cannot slip or fall out.

Specification- Top-hat rail fastening: 35 mm- Material: steel- Dimensions (LxWxH): approx. 45 x 15 x 10 mm Package contents- 4 x top-hat rail end clamps Packaging- Resealable bag

Specifications

Scan this QR code to
view the product
All details, up-to-date
prices and availability

