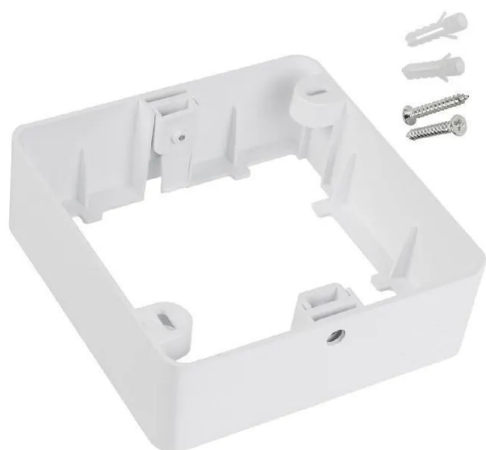


Item no.: 375212

MCE378 - Maclean surface-mounted adapter, for LED panel 9W, square, 120*120*38mm, S

0,95 EUR

Item no.: 375212
shipping weight: 0.10 kg
Manufacturer: Maclean Brackets



Product Description

The MCE378 frame is designed for the surface mounting of square LED panels measuring 120 x 120 mm. This allows you to mount the LED panel quickly and easily on a normal ceiling. Easy installation using mounting pins. Specification- Producer: Maclean- Model: MCE378 S- For panels with dimensions: 120x120 mm- Suitable for panel: Maclean MCE373 S- Material: plastic- Dimensions: 120 x 120 x 38 mm- Colour: white Set contains- Surface-mounted adapter for 9W LED panel, square, Maclean MCE378 S- Manufacturer's packaging Features- Practical square frame for surface mounting- Easy installation using mounting pins- Designed for panels measuring 120x120 mm- Suitable for model MCE373 S- Colour: white

Specifications

Scan this QR code to
view the product
All details, up-to-date
prices and availability

