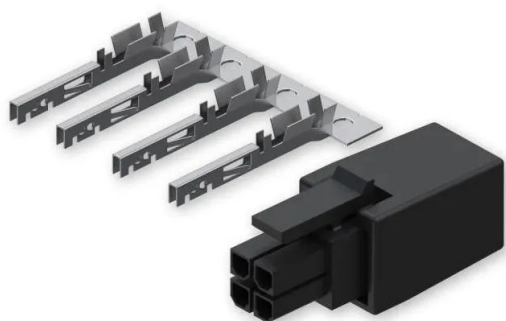


Item no.: 386885

## PR4MK04K - 4-PIN plug with contact terminals

from **4,51 EUR**

Item no.: 386885  
shipping weight: 0.10 kg  
Manufacturer: Teltonika



### Product Description

TECHNICAL DATAGENERAL - Voltage rating: 250 V AC/DC- Current rating: 5 A AC/DC- Withstand voltage: 1500 V AC for 1 minute- Insulation resistance: 1000 M $\Omega$  min- Temperature range: - 25 °C ~ + 85 °C- Contact resistance: 10 m $\Omega$ - Insulator material: Nylon 66- Internal contacts material: Phosphor Bronze / Brass- Internal contacts finishing: Tin-plated

### Specifications

Scan this QR code to  
view the product  
All details, up-to-date  
prices and availability

