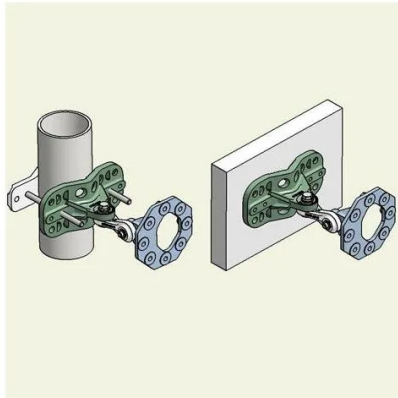


Item no.: MNT-22

## Mounting für MARS MA-WA56-DP23B, MA-WC2458-2H2B

from **39,21 EUR**

Item no.: MNT-22  
shipping weight: 0.90 kg  
Manufacturer: MARS Antennas



### Product Description

Mount for CPE / Subscriber and Small Base Station Antennas MNT-22 Features:- Azimuth and Elevation Adjustable Mount for CPE, Subscriber and Small Base Station Antennas.- Suitable for pole or wall mounting.- Allows positioning of antenna in 45° slant polarization.- Made of Die Cast Aluminum.- Comes with all required hardware in a kit form.- Heavy duty.(\*) Screws supplied are 80 mm. Longer screws are available on request

### Specifications

Scan this QR code to  
view the product  
All details, up-to-date  
prices and availability

